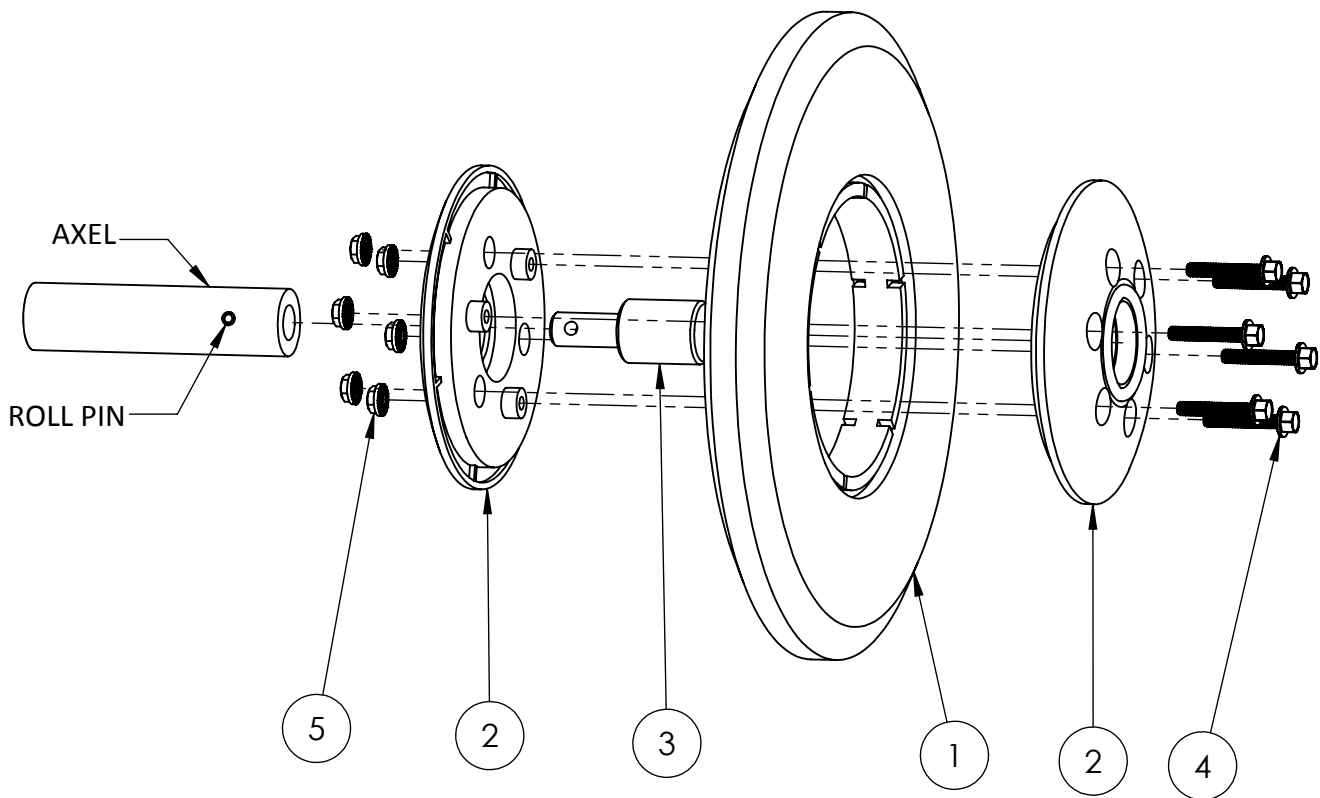


40705 - 12" SMOOTH WHEEL WITH WATER PUMP BEARING PLANTER CLOSING WHEEL INSTRUCTIONS

1. Remove the old style wheel from the wheel arm axle.
2. Position new poly smooth wheel onto the axle and secure with rollpin.

NOTE:

- a) Due to surface area reduction, the smooth wheel design will require less spring pressure. We suggest starting at zero pressure and adjusting up to satisfaction.
- b) The smooth wheel is recommended to be used with a seed firmer device to press the seed into the furrow prior to the closing wheel function. This is important for proper soil to seed contact.



ITEM#	PART#	DESCRIPTION	QTY
1	20875	CLOSING WHEEL 12" SMOOTH	1
2	40738	CW HUB WATERPUMP	2
3	20869	CW BEARING WATERPUMP	1
4	00915	BOLT, 1/4"-20 X 1-1/2" FLANGE HEX	6
5	00917	NUT, 1/4"-20 FLANGE LOCK HEX	6



**120 Eastgate Drive SE
PO Box 7
Hutchinson, MN 55350**

**1-800-788-6483
1-320-587-2322
1-320-587-6112 (Fax)**

WWW.MAYWES.COM