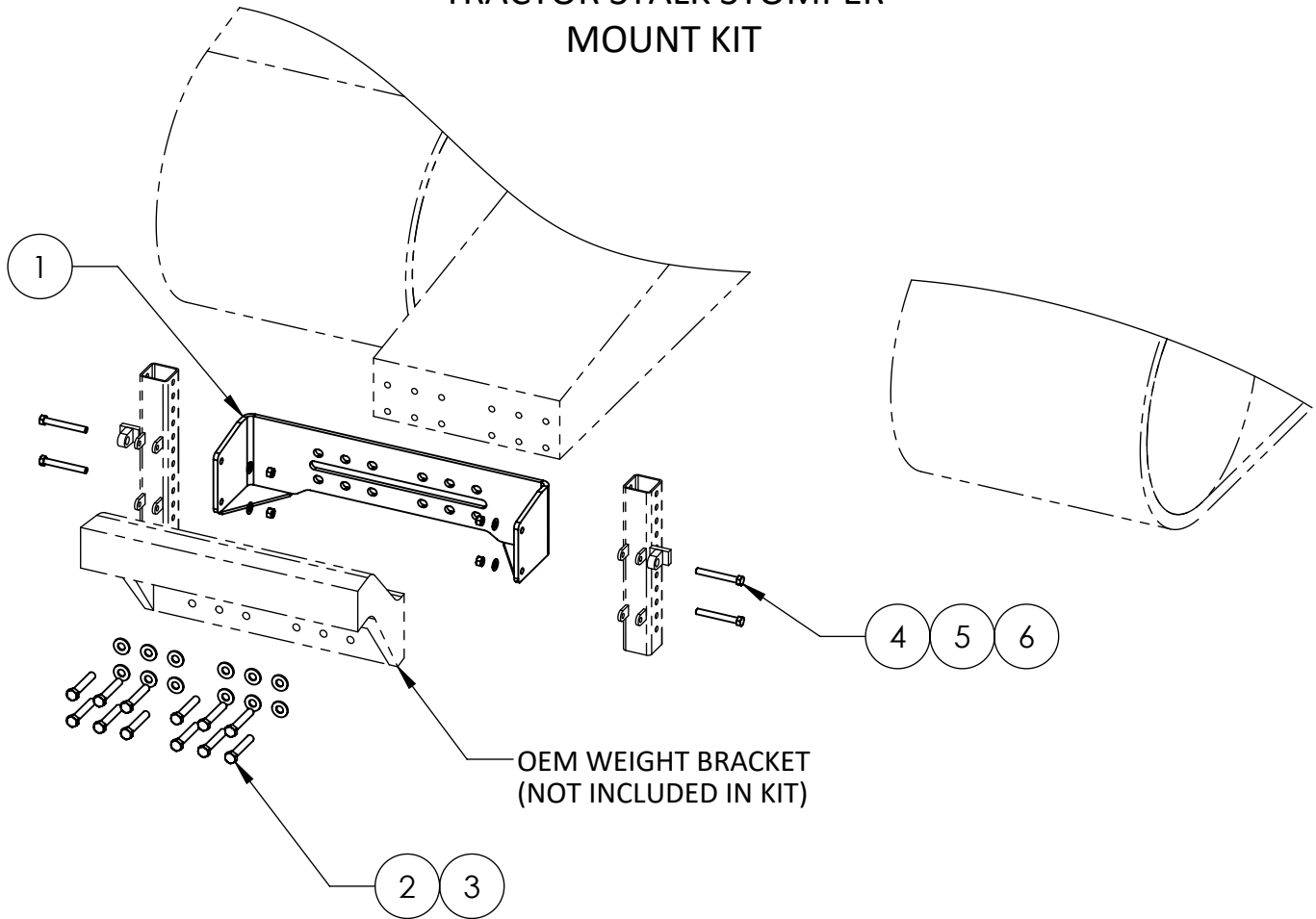


**42320**  
**JOHN DEERE 9RT (2012-2014)**  
**TRACTOR STALK STOMPER**  
**MOUNT KIT**



**Installation:**

- 1) If equipped, remove front weight plates and cast weight bracket from the tractor.
- 2) Position the Base Mount Bracket (42308) at the front of the tractor frame aligning the matching hole patterns.
- 3) Reinstall the cast weight bracket on the tractor "sandwiching" the Base Mount Bracket between the weight bracket and the frame using the hardware supplied (see parts listing).
- 4) Reinstall weight plates on the cast weight bracket.
- 5) Proceed to mounting the Lift Arm Assemblies per the instructions provided with those assemblies.

6	00621	NUT, 3/4"-10 TOP LOCK	4
5	00236	WASHER, 3/4" FLAT SAE	4
4	00033	BOLT, 3/4"-10 X 6" HEX	4
3	01124	Washer, Flat 25mm x 44mm x 4mm Zinc	12
2	01123	BOLT, HEX M24-3.0 x 140mm CLASS 10.9 ZINC	12
1	42308	WLDMT, MOUNT BRKT, JD 9RT	1
ITEM #	PART #	DESCRIPTION	QTY.



**120 Eastgate Drive SE**  
**PO Box 7**  
**Hutchinson, MN 55350**

**1-800-788-6483**  
**1-320-587-2322**  
**1-320-587-6112 (Fax)**

**WWW.MAYWES.COM**