

**MAGNUM 235, 260, 290, 315, 340, & 370**  
TRACTOR STALK STOMPER  
INSTALLATION

**Safety Recommendations:**

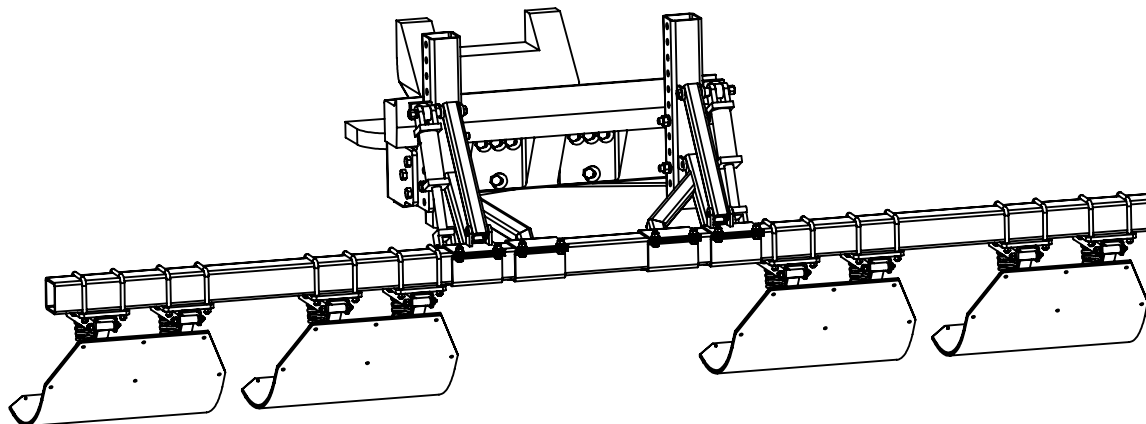
Prior to installation, removal or maintenance of May Wes Stalk Stompers, park tractor on level ground and lock the brakes. In addition, please follow all safety recommendations listed in the OEM owner's manual.

**Installation:**

- 1) Remove front weight plates and cast weight bar from the tractor.
- 2) Position the Spacer Plate (22498) at the front of the tractor frame aligning the matching hole patterns.
- 3) Position the Mount Bracket Base (42058) at the front of the tractor frame aligning the matching hole patterns.
- 4) Reinstall the cast weight bar on the tractor "sandwiching" the Spacer Plate & Mount Bracket Base between the weight bar and the tractor frame, using the supplied M20 hardware and reusing the OEM flat washers.
- 5) Mount Side Plates (22477) on the "inside" of the Mount Bracket Base (42058) using 3/4" hardware supplied with the mount kit.
- 6) Proceed to mounting the Lift Arm Assemblies on the "inside" of the gusset plates, using 3/4" hardware supplied with mount kit and instructions provided with each Lift Arm Kit.
- 7) Reference page 2 for Stalk Stomper positioning and mounting using the 1/2" hardware supplied with mount kit.

\* All orientation references are from the operators position.

\*\* For ease of installation of Mount Bracket Base and cast weight bar, remove the head from two (2) OEM M20 bolts allowing use as a guide stud. Place bolts in 2 holes of frame, slide the Spacer Plate, Mount Bracket and weight bar over bolts. Remove and replace with new M20 hardware.



**MAY WES**  
*Original Poly People*  
A DIVISION OF PRIDE SOLUTIONS

120 Eastgate Drive SE  
PO Box 7  
Hutchinson, MN 55350

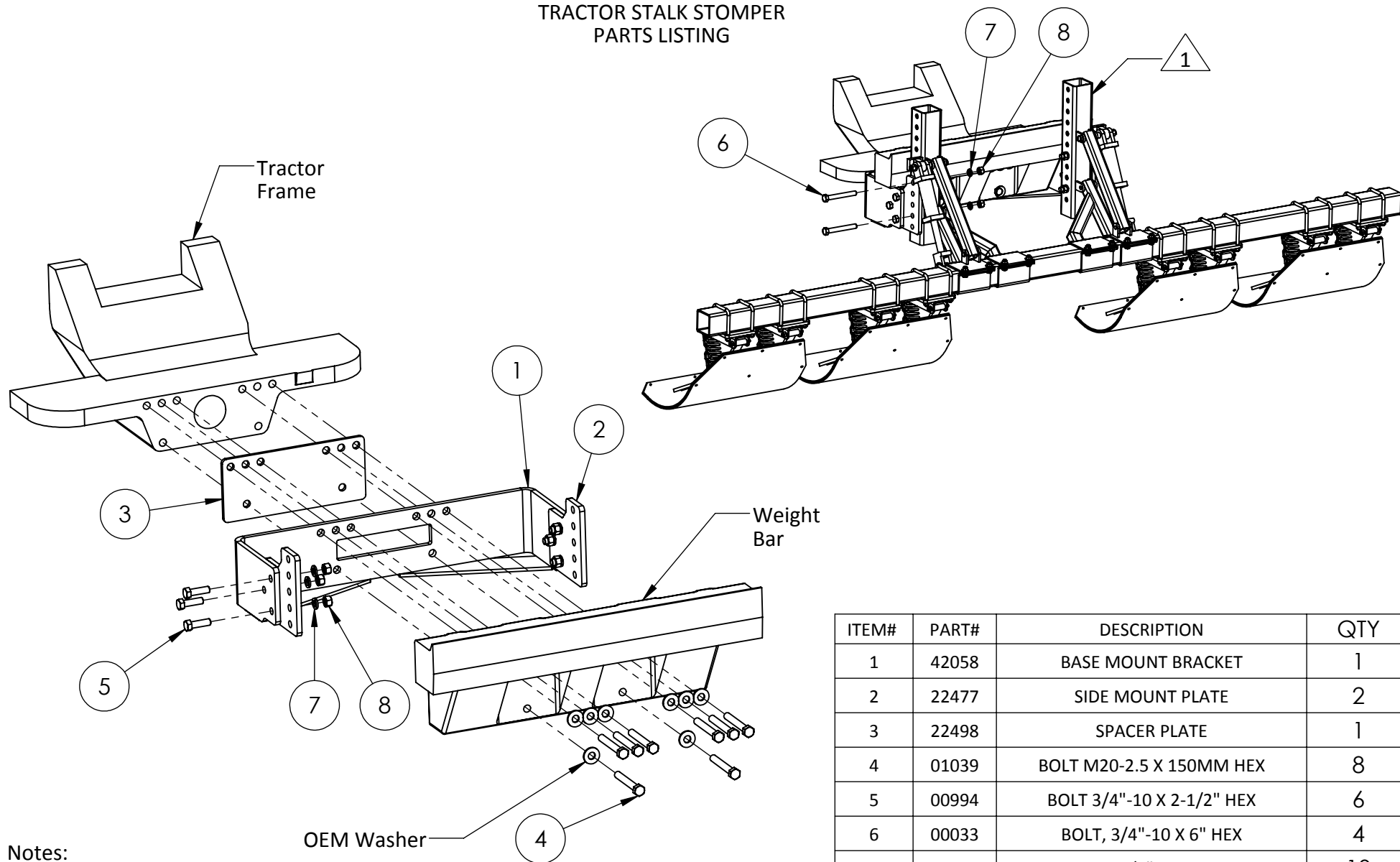
1-800-788-6483  
1-320-587-2322  
1-320-587-6112 (Fax)

[WWW.MAYWES.COM](http://WWW.MAYWES.COM)

# MAGNUM 235, 260, 290, 315, 340, & 370

## TRACTOR STALK STOMPER

### PARTS LISTING



**Notes:**

1 Graphics are for reference only and do not represent final assembled height.

ITEM#	PART#	DESCRIPTION	QTY
1	42058	BASE MOUNT BRACKET	1
2	22477	SIDE MOUNT PLATE	2
3	22498	SPACER PLATE	1
4	01039	BOLT M20-2.5 X 150MM HEX	8
5	00994	BOLT 3/4"-10 X 2-1/2" HEX	6
6	00033	BOLT, 3/4"-10 X 6" HEX	4
7	00237	WASHER, 3/4" SPRING LOCK	10
8	00199	NUT, 3/4"-10 HEX	10



**MAY WES**  
Original Poly People  
A DIVISION OF PRIDE SOLUTIONS

120 Eastgate Drive SE  
PO Box 7  
Hutchinson, MN 55350

1-800-788-6483  
1-320-587-2322  
1-320-587-6112 (Fax)

WWW.MAYWES.COM