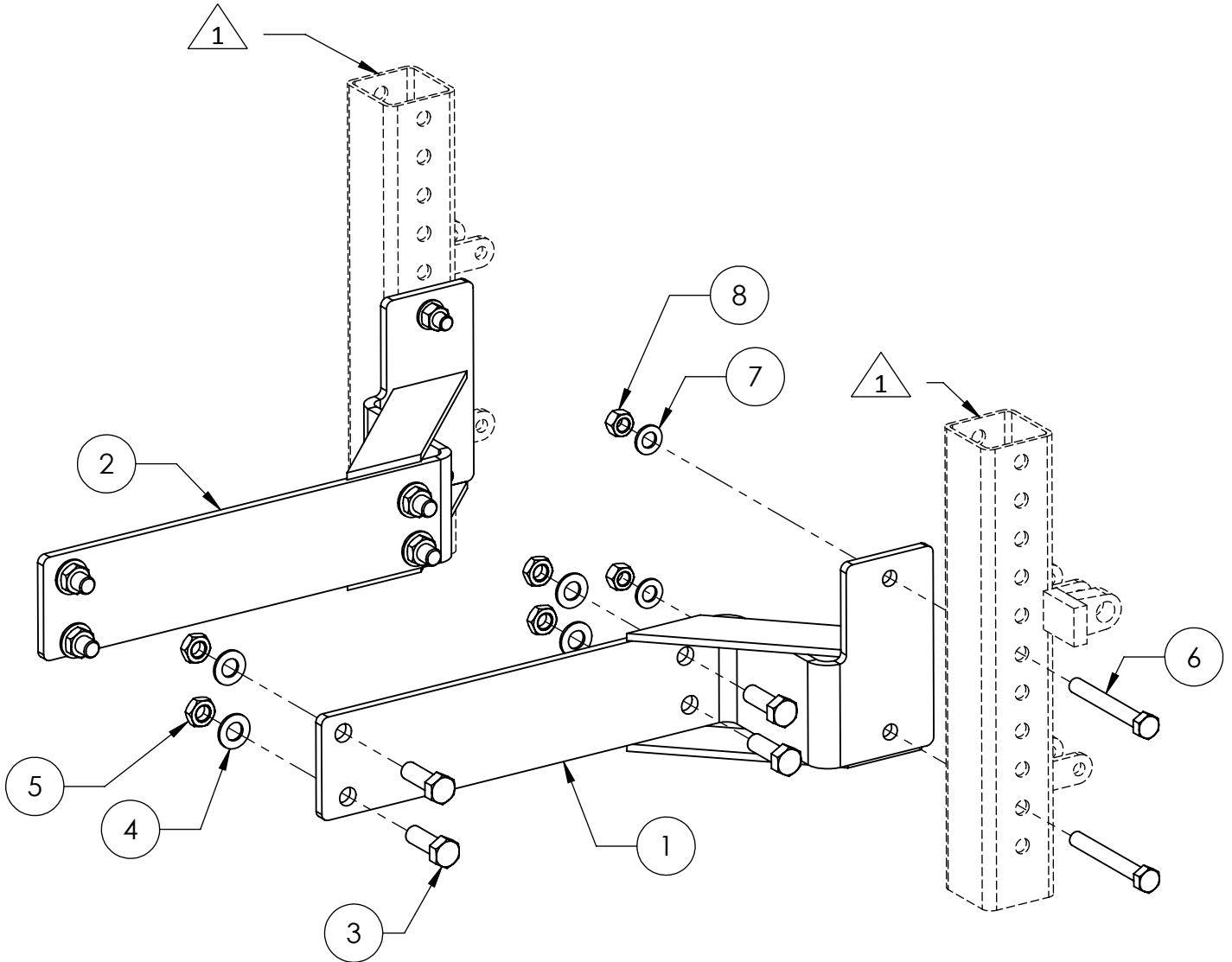


**41697**  
**John Deere 9030 Series**  
**TRACTOR STALK STOMPER**  
**MOUNT KIT**



**Notes:**

**1** Vertical Mount graphics are for reference only and do not represent final assembled height.

ITEM#	PART#	DESCRIPTION	QTY	ITEM#	PART#	DESCRIPTION	QTY
1	41710	MOUNT BRACKET (RIGHT)	1	5	00984	NUT, 7/8"-9 TOP LOCK	8
2	41711	MOUNT BRACKET (LEFT)	1	6	00033	BOLT, 3/4"-10 X 6" HEX	4
3	00983	BOLT, 7/8"-9 X 2-1/2" HEX	8	7	00238	WASHER, 3/4" FLAT SAE	4
4	00238	WASHER, 7/8" FLAT SAE	8	8	00621	NUT, 3/4"-10 TOP LOCK	4

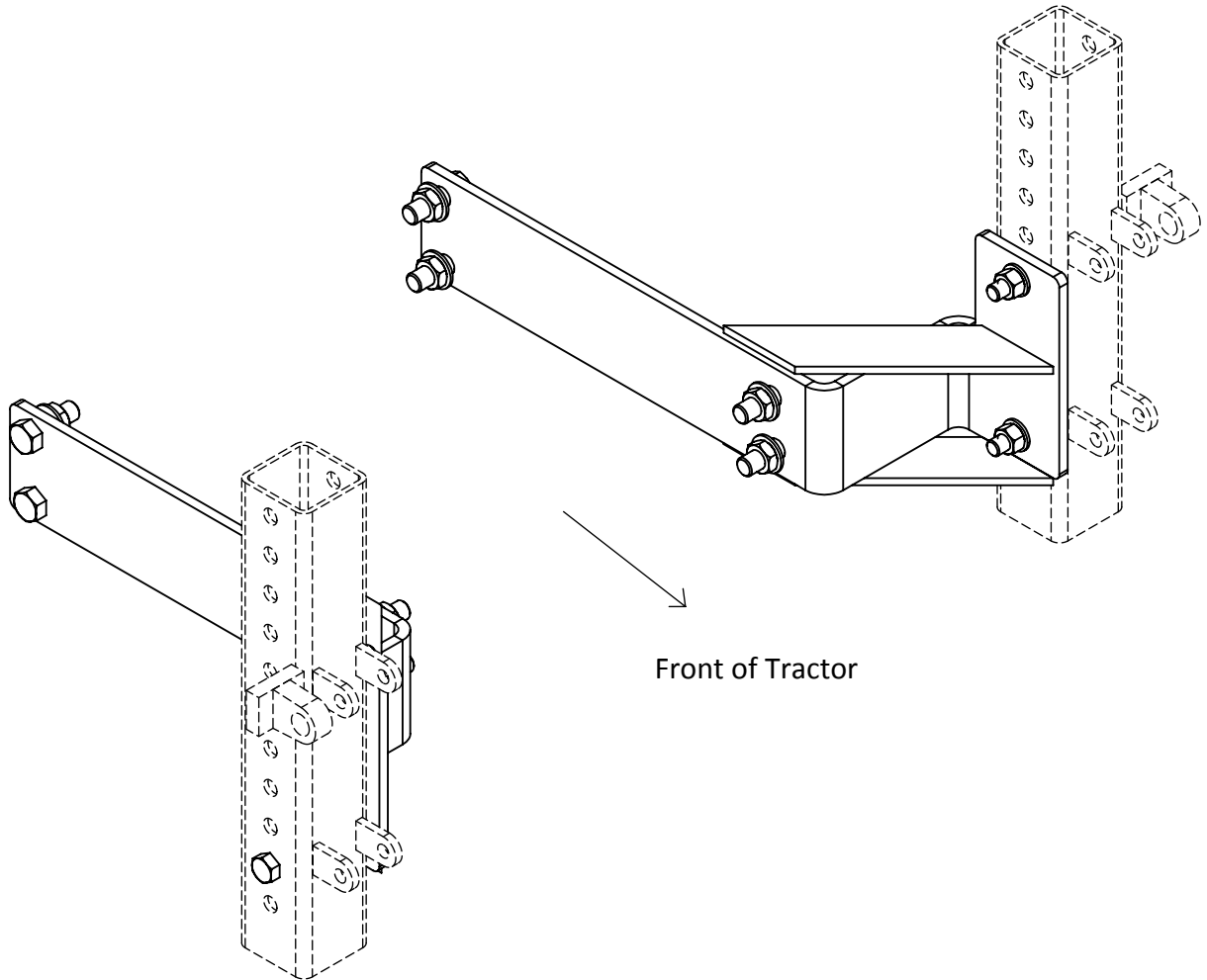


**120 Eastgate Drive SE**  
**PO Box 7**  
**Hutchinson, MN 55350**

**1-800-788-6483**  
**1-320-587-2322**  
**1-320-587-6112 (Fax)**

**WWW.MAYWES.COM**

**41697**  
**JOHN DEERE 9030 SERIES**  
**TRACTOR STALK STOMPER**  
**MOUNT KIT**



**Assembly Procedure:**

1. Please read all instructions prior to installation.
2. Remove toolbox from tractor (if applicable).
3. Hold mount bracket #41710 up to the front right side of tractor frame (from operator position) matching the hole pattern in the bracket to existing hole locations in tractor frame.
4. Attach mount bracket to tractor using supplied 7/8" hardware.
5. Repeat steps 2 through 4 using mount bracket #41711 for the front left side of tractor.
6. Proceed to mounting the Lift Arm Assemblies using 3/4" hardware supplied with moutn kit and instructions provided with each Lift Arm Kit.



**120 Eastgate Drive SE**  
**PO Box 7**  
**Hutchinson, MN 55350**

**1-800-788-6483**  
**1-320-587-2322**  
**1-320-587-6112 (Fax)**

**WWW.MAYWES.COM**