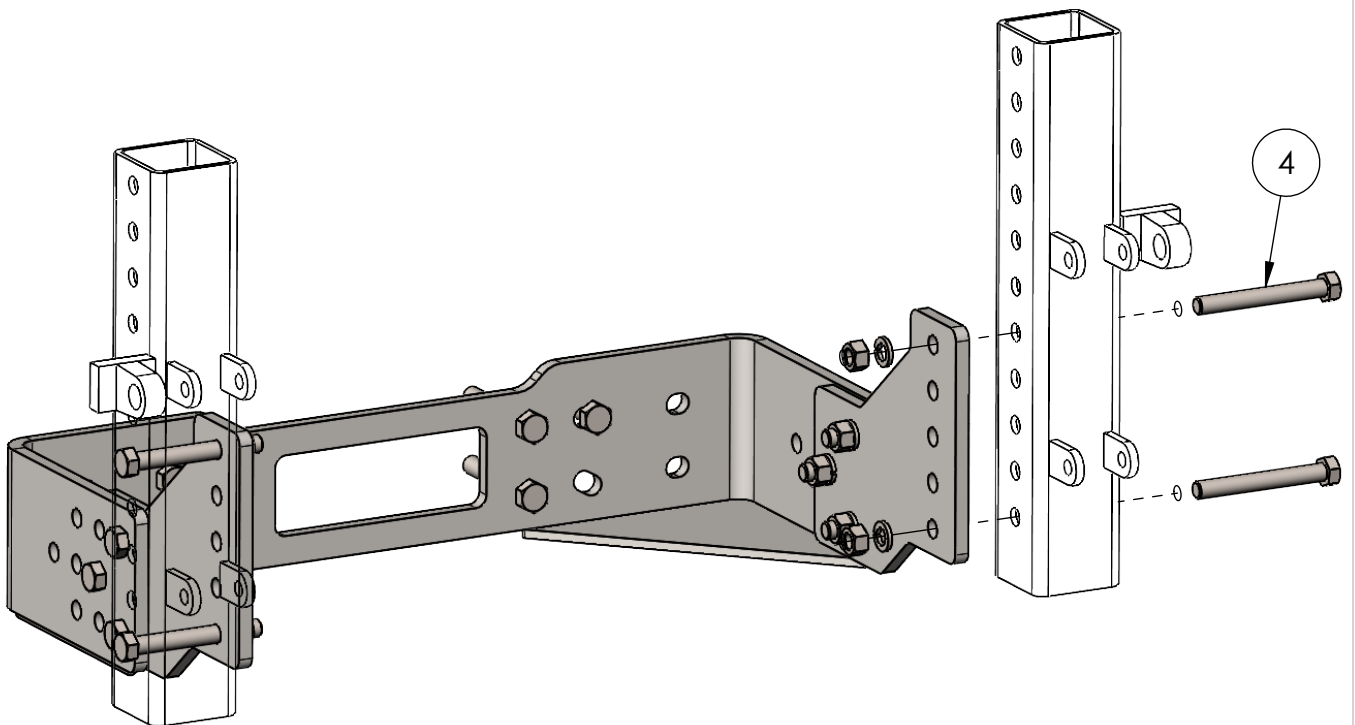
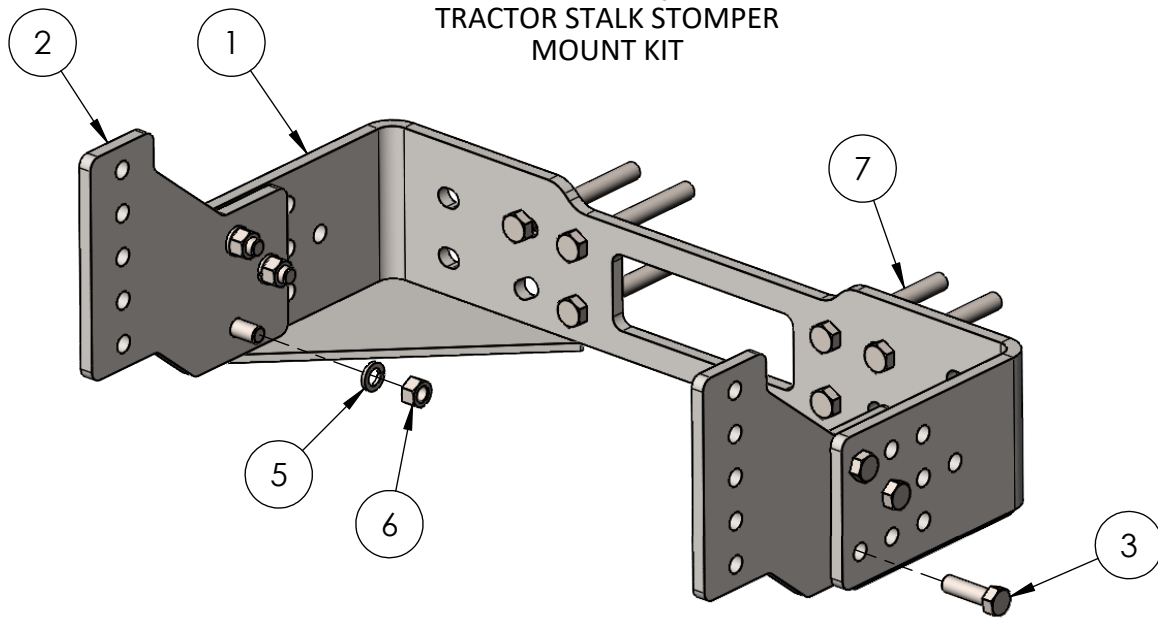


41728
JOHN DEERE 8000/8R SERIES
 TRACTOR STALK STOMPER
 MOUNT KIT



ITEM#	PART#	DESCRIPTION	QTY	ITEM#	PART#	DESCRIPTION	QTY
1	41729	BASE MOUNT BRACKET	1	5	00237	WASHER, 3/4" SPRING LOCK	10
2	22354	SIDE MOUNT PLATE	2	6	00199	NUT, 3/4" REGULAR	10
3	00994	BOLT, 3/4"-10 X 2-1/2" HEX	6	7	00997	BOLT, M20 X 2.5 X 170 HEX	8
4	00033	BOLT, 3/4"-10 X 6" HEX	4				



120 Eastgate Drive SE
 Hutchinson, MN 55350

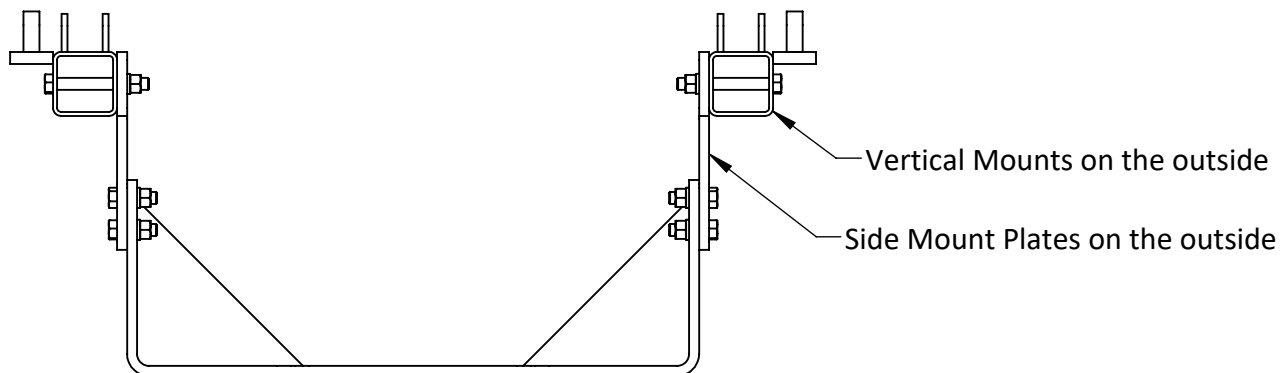
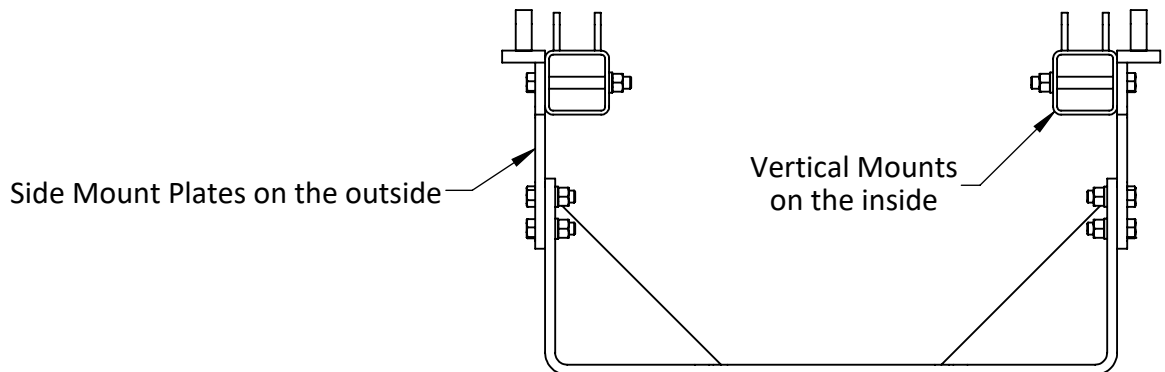
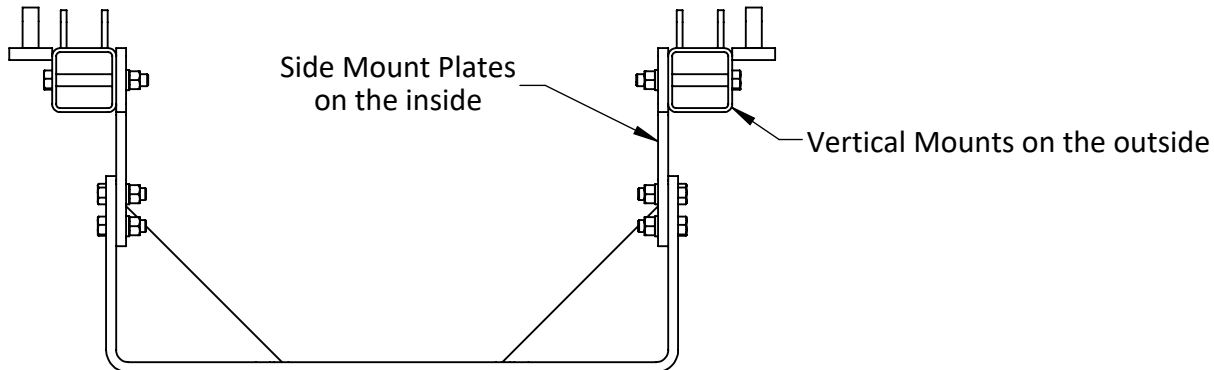
1-800-788-6483
 1-320-587-2322
 1-320-587-6112 (Fax)

WWW.MAYWES.COM

41728
JOHN DEERE 8000/8R SERIES
TRACTOR STALK STOMPER
MOUNT KIT

Installation:

- 1) Remove front weight plates and cast weight bar from the tractor.
- 2) Position the Base Mount Bracket (41729) at the front of the tractor frame aligning the matching hole patterns.
- 3) Reinstall the cast weight bar on the tractor "sandwiching" the Base Mount Bracket between the weight bar and the frame using the metric hardware supplied (see parts listing).
- 4) Reinstall weight plates on the cast weight bar.
- 5) Install the Side Mount Plates (22354) in the optional configuration that best fits your implement as shown in diagrams below using the supplied hardware (see parts listing).
- 6) Proceed to mounting the Lift Arm Assemblies per the instructions provided with those assemblies.



120 Eastgate Drive SE
Hutchinson, MN 55350

1-800-788-6483
1-320-587-2322
1-320-587-6112 (Fax)

WWW.MAYWES.COM