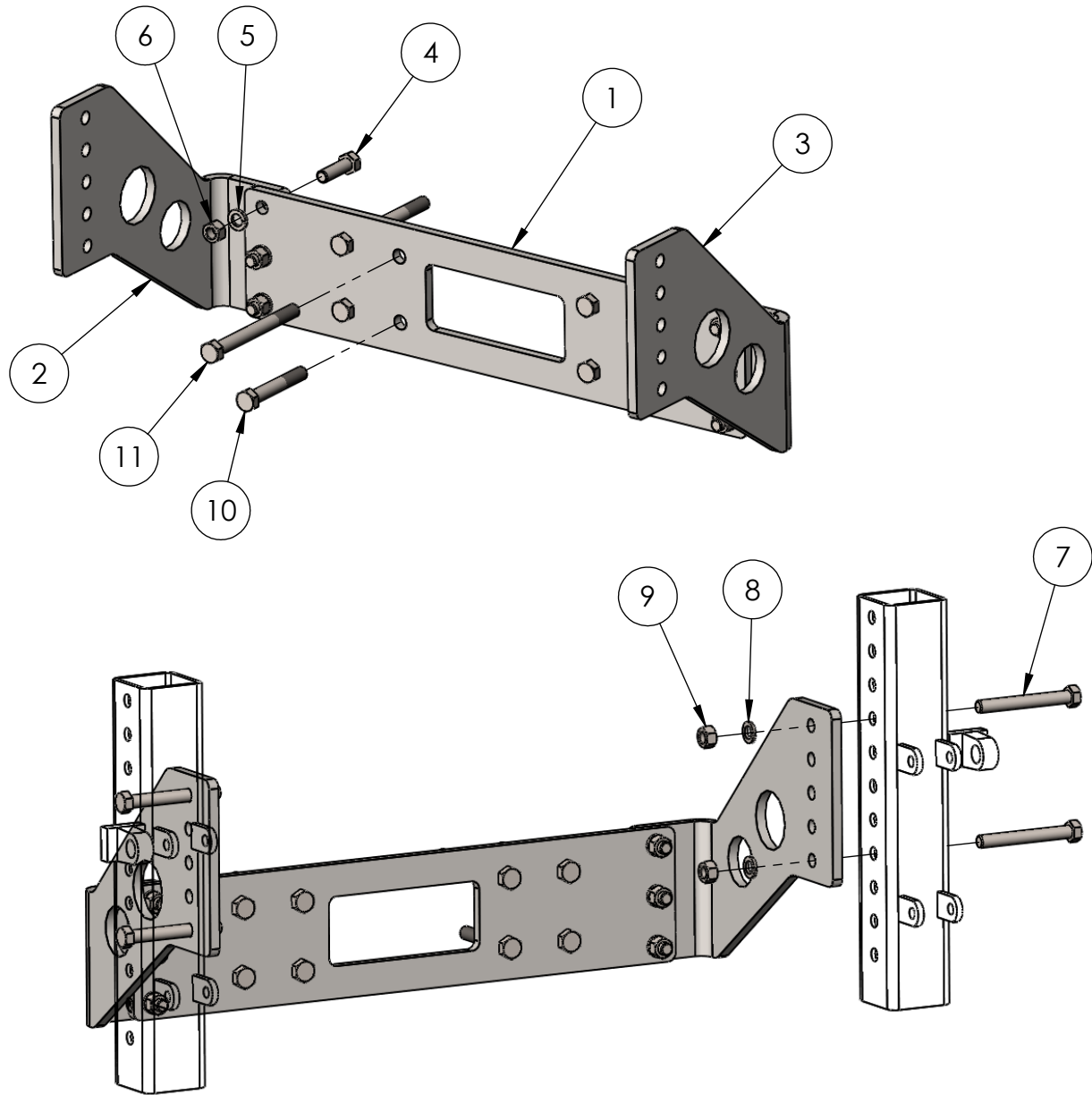


41684
CHALLENGER 700 SERIES
 TRACTOR STALK STOMPER
 MOUNT KIT



| ITEM # | PART # | DESCRIPTION | QTY | ITEM # | PART # | DESCRIPTION | QTY |
|--------|--------|----------------------------|-----|--------|--------|---------------------------|-----|
| 1 | 22270 | MOUNT PLATE (BASE) | 1 | 7 | 00033 | BOLT, 3/4"-10 X 6" HEX | 4 |
| 2 | 22268 | MOUNT PLATE (RIGHT) | 1 | 8 | 00237 | WASHER, 3/4" SPRING LOCK | 4 |
| 3 | 22269 | MOUNT PLATE (LEFT) | 1 | 9 | 00199 | NUT, 3/4" REGULAR | 4 |
| 4 | 00994 | BOLT, 3/4"-10 X 2-1/2" HEX | 6 | 10 | 00995 | BOLT, M20 X 2.5 X 130 HEX | 4 |
| 5 | 00237 | WASHER, 3/4" SPRING LOCK | 6 | 11 | 00996 | BOLT, M20 X 2.5 X 210 HEX | 4 |
| 6 | 00199 | NUT, 3/4" REGULAR | 6 | | | | |



120 Eastgate Drive SE
PO Box 7
Hutchinson, MN 55350

1-800-788-6483
1-320-587-2322
1-320-587-6112 (Fax)

WWW.MAYWES.COM

Safety Recommendations:

Prior to installation, removal or maintenance of May Wes Stalk Stompers, park tractor on level ground and lock the brakes. In addition, please follow all safety recommendations listed in the OEM owner's manuals.

Installation:

- 1) Remove front weight plates and cast weight bar from the tractor.
- 2) Position the Base Mount Plate (22270) at the front of the tractor frame aligning the matching hole patterns.
- 3) Reinstall the cast weight bar on the tractor "sandwiching" the Base Mount Plate between the weight bar and the frame using the metric hardware supplied (see parts listing).
- 4) Reinstall weight plates on the cast weight bar.
- 5) Install the Right Mount Plate (22268) and Left Mount Plate (22269) as shown in diagrams using supplied hardware (see parts listing).
- 6) Proceed to mounting the Lift Arm Assemblies per the instructions provided with those assemblies.

Setup/Operating Recommendations:

May Wes stalk stompers are intended to be setup/operated with minimal to no ground contact and minimal spring compression during field operation. To achieve the recommended operating setup, the spring may need to be shortened by removing one coil (approximately one inch) at a time. Eliminating spring preload will allow for maximum spring travel during operation. After operating position is established, adjust the chains so there is no slack when the shoe is not in contact with the ground. This will help reduce shoe damage, premature wear of the poly and accidental spring loss.

Note: As with all aftermarket product applications please maintain an awareness of the stalk stompers during operation. The stalk stompers should always be raised prior to backing up to prevent damage. The curved design of the shoe is intended to prevent or minimize damage if the assembly is inadvertently left down while backing up.

Maintenance Recommendations:

Your May Wes stalk stompers should require minimal maintenance during operation. Periodically check the pivot bolts connecting the shoes and the mount brackets and replace when wear is present. The springs and chains should also be checked periodically for proper adjustment/operation and to ensure the cotter pins are still in place. This should be done along with other routine maintenance of the equipment.



120 Eastgate Drive SE
PO Box 7
Hutchinson, MN 55350

1-800-788-6483
1-320-587-2322
1-320-587-6112 (Fax)

WWW.MAYWES.COM