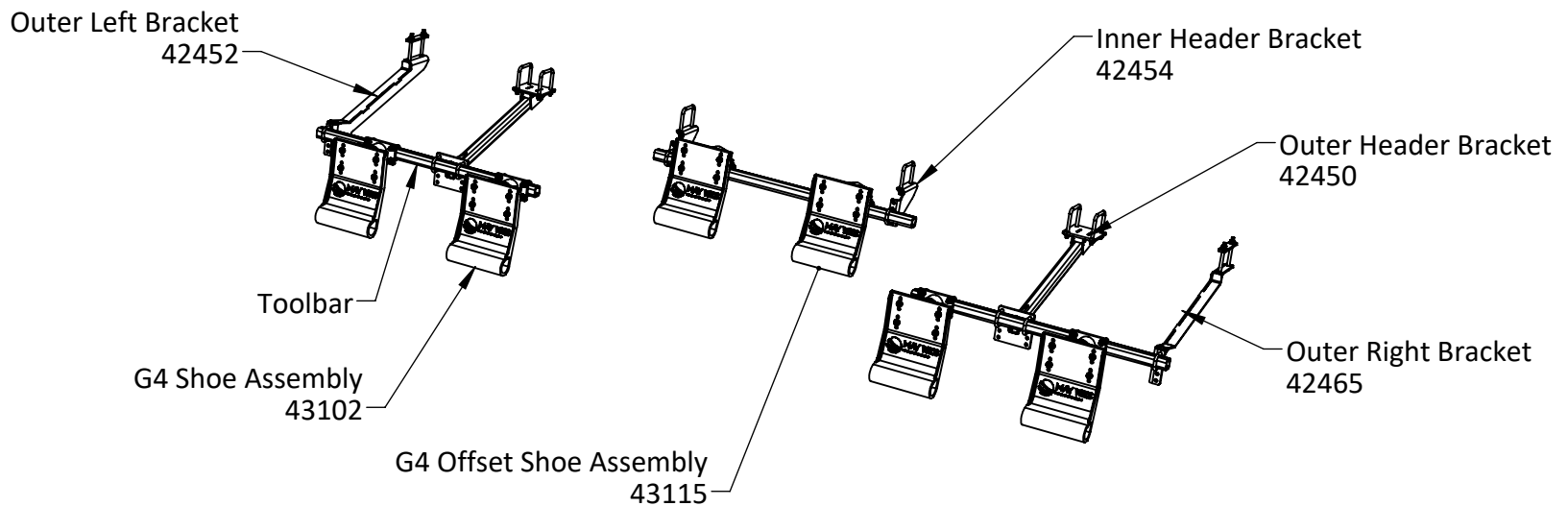


**CASE IH 2200/2400/3200/3400 SERIES - NEW HOLLAND 96C/98C/980D/996
6 Row Heads
G4 TOOLBAR MOUNT STALK STOMPER**



CAUTION

PLEASE REFER TO YOUR EQUIPMENT MANUFACTURER'S OPERATORS MANUAL FOR PERTINENT SAFETY PRECAUTIONS



Notes:

- Illustration shown is for reference purposes only. Quantities and components will vary. Please refer to individual component parts listings for specific information.

* Toolbar is not included in all kits. If a kit without Toolbar was ordered, the customer is responsible for providing required Toolbar.

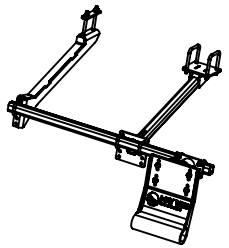


120 Eastgate Drive SE
Hutchinson, MN 55350

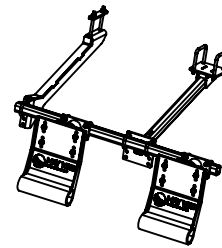
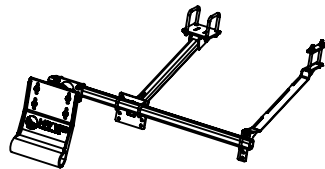
1-800-788-6483
1-320-587-2322
1-320-587-6112 (Fax)

WWW.MAYWES.COM

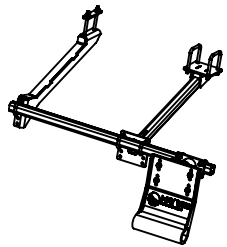
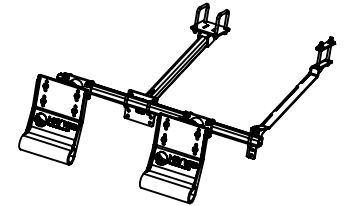
CASE IH 2200/2400/3200/3400 SERIES - NEW HOLLAND 96C/98C/980D/996
6 Row Heads
G4 TOOLBAR MOUNT STALK STOMPER



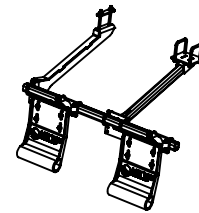
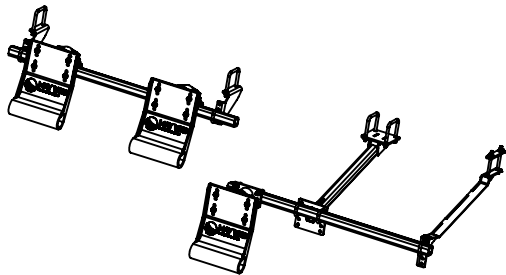
2 Row Layout



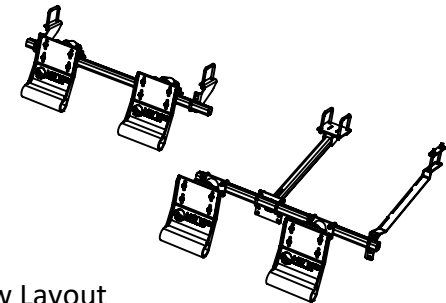
4 Row Layout



4 Row Layout



6 Row Layout

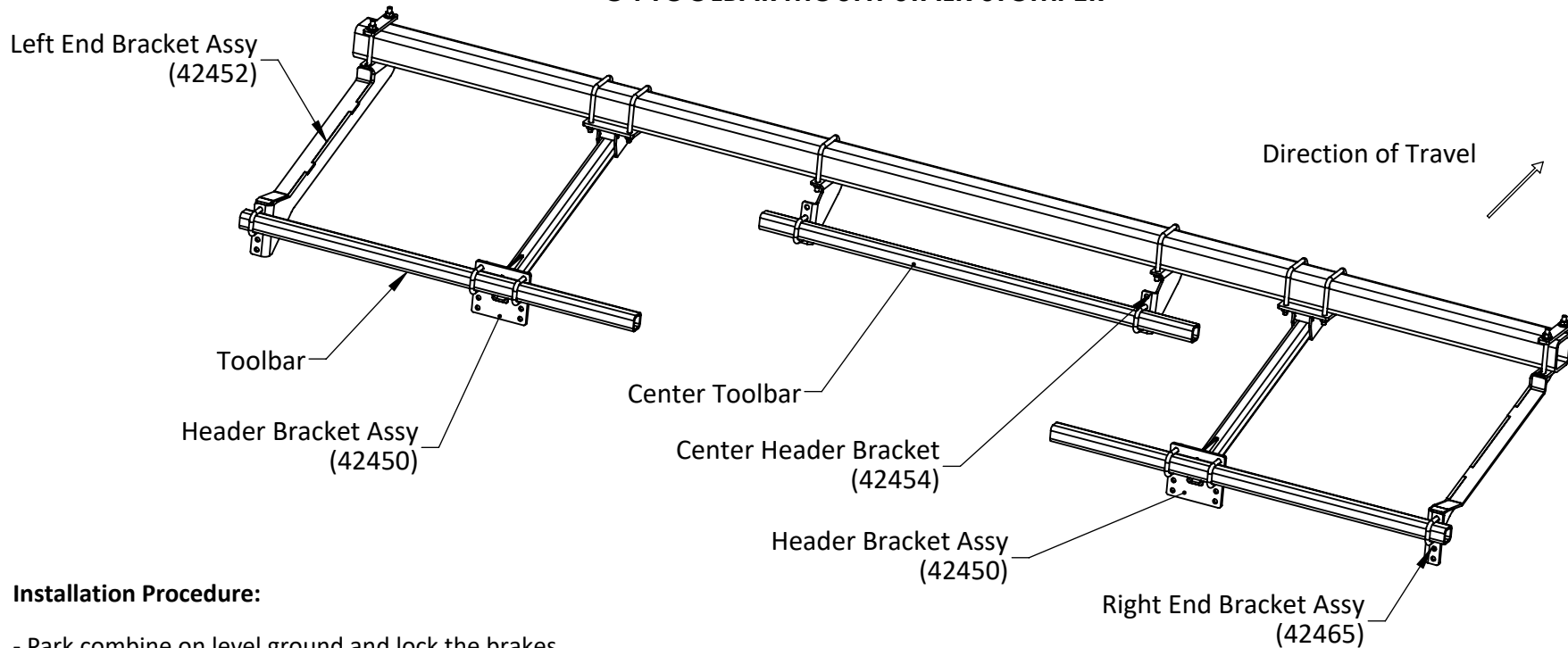


120 Eastgate Drive SE
Hutchinson, MN 55350

1-800-788-6483
1-320-587-2322
1-320-587-6112 (Fax)

WWW.MAYWES.COM

**CASE IH 2200/2400/3200/3400 SERIES - NEW HOLLAND 96C/98C/980D/996
6 Row Heads
G4 TOOLBAR MOUNT STALK STOMPER**



Installation Procedure:

- Park combine on level ground and lock the brakes.
- Raise the head and lock in the upright position.
- Mount the Header Brackets to the 4" x 4" frame beam on the bottom of the corn head. Place the U-Bolts over the top of the 4 x 4 frame beam.
- Place the Header Bracket Assembly (42450) below the 4 x 4 frame tube and between the row units.
- Mount a Header Bracket on each side of the head, positioning the brackets between rows, and mount an end bracket outward, close to the endplate
- Mount Center Header Brackets (42454) to the 4" x 4" frame beam on the bottom of the corn head. Place the U-Bolts over the top of the 4 x 4 frame beam.
- Mount toolbar (2" x 2" square tube) to the mounting brackets using the 2" U-Bolts and lock nuts provided.

Note: Toolbars may need to be trimmed to fit.

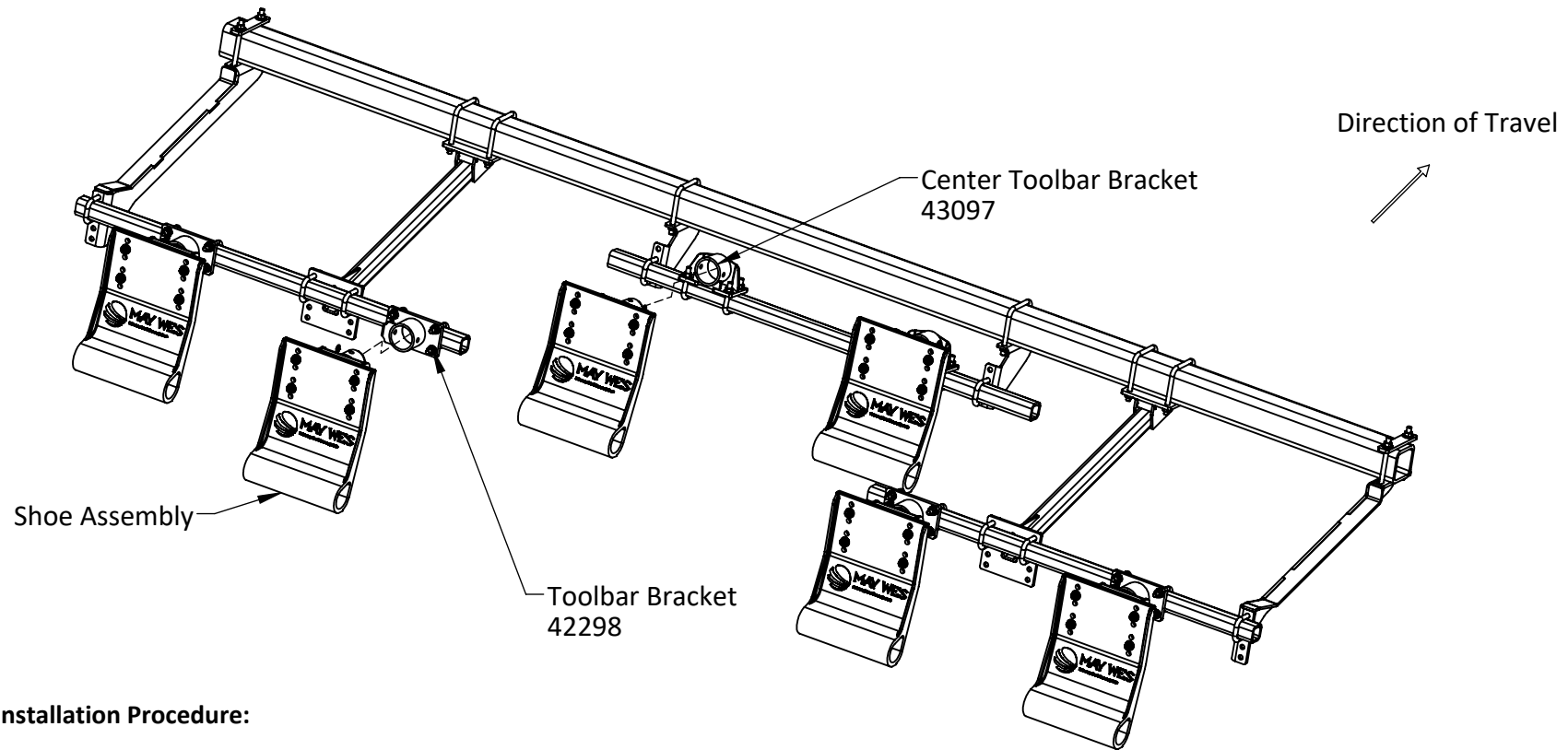


120 Eastgate Drive SE
Hutchinson, MN 55350

1-800-788-6483
1-320-587-2322
1-320-587-6112 (Fax)

WWW.MAYWES.COM

**CASE IH 2200/2400/3200/3400 SERIES - NEW HOLLAND 96C/98C/980D/996
6 Row Heads
G4 TOOLBAR MOUNT STALK STOMPER**



Installation Procedure:

- On flat ground, lower the head to approximate working height.
- Attach Toolbar Brackets using U-Bolts and nuts, behind the center of each row to be stomped.
- Lift Stalk Stomper Assembly into mating features on the mounting bracket and attach with pin and clip.
- Height can be adjusted by repositioning the shoe to the torsion unit. Each hole set will adjust the height by 1"

NOTE:

Refer to G4 Stalk Stomper Instruction (Document 10274) for Setup, Operation, Maintenance, Transport and Storage Instructions

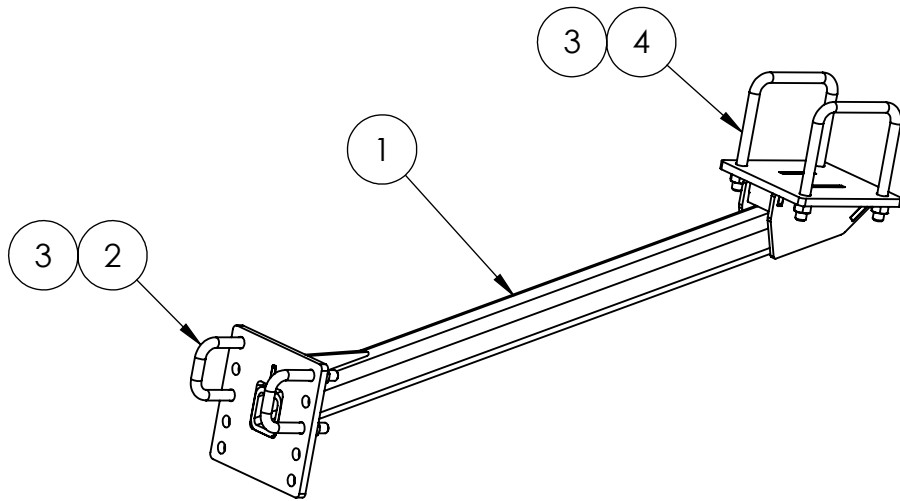


120 Eastgate Drive SE
Hutchinson, MN 55350

1-800-788-6483
1-320-587-2322
1-320-587-6112 (Fax)

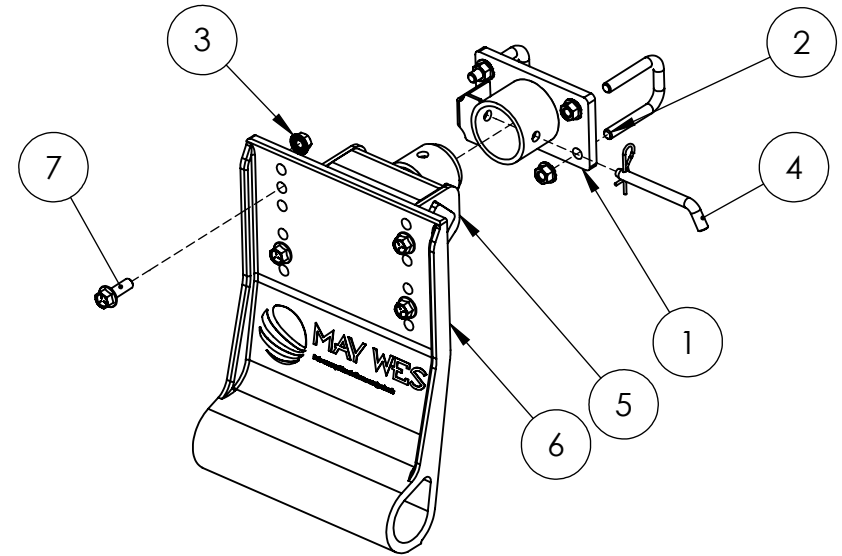
WWW.MAYWES.COM

**CASE IH 2200/2400/3200/3400 SERIES - NEW HOLLAND 96C/98C/980D/996
6 Row Heads
G4 TOOLBAR MOUNT STALK STOMPER**



42450 - Header Bracket Assembly

| | | | |
|--------|--------|----------------------------|------|
| 4 | 00965 | U-BOLT 1/2"-13 x 4" | 2 |
| 3 | 00730 | NUT, 1/2"-13 HEX FLANGE | 8 |
| 2 | 00986 | U-BOLT 1/2"-13 X 2" | 2 |
| 1 | 42449 | ARM, CIH 22/24/32/34 MOUNT | 1 |
| ITEM # | PART # | DESCRIPTION | QTY. |



43102 - Stalk Stomper Shoe Assembly

| | | | |
|--------|--------|-----------------------------------|------|
| 7 | 00729 | BOLT, 1/2"-13 X 1-1/2" HEX FLANGE | 4 |
| 6 | 24100 | SHOE, G4 MOLDED | 1 |
| 5 | 42295 | STALK STOMPER TORSION ASSY | 1 |
| 4 | 01130 | PIN, 1/2" X 4" BENT HITCH | 1 |
| 3 | 00730 | NUT, 1/2"-13 HEX FLANGE | 8 |
| 2 | 00986 | U-BOLT 1/2"-13 X 2" | 2 |
| 1 | 42298 | WLDMT; TOOLBAR MNT BRKT | 1 |
| ITEM # | PART # | DESCRIPTION | QTY. |

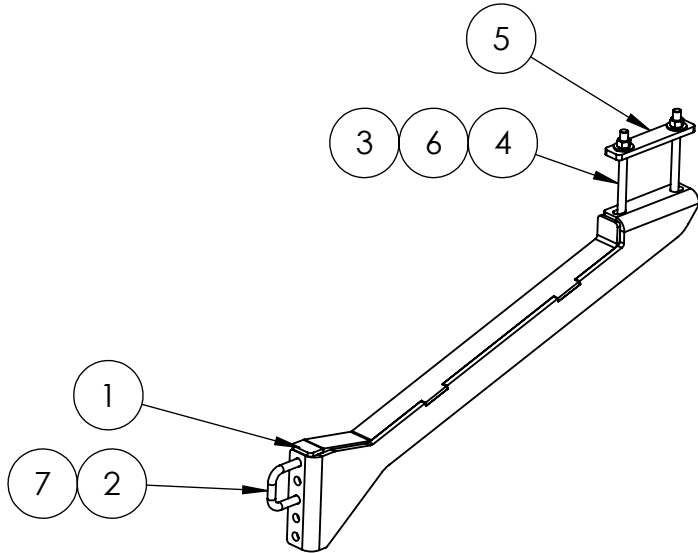


120 Eastgate Drive SE
Hutchinson, MN 55350

1-800-788-6483
1-320-587-2322
1-320-587-6112 (Fax)

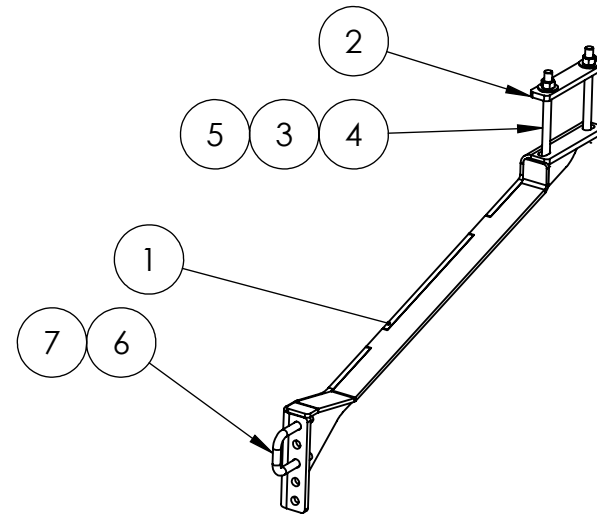
WWW.MAYWES.COM

**CASE IH 2200/2400/3200/3400 SERIES - NEW HOLLAND 96C/98C/980D/996
6 Row Heads
G4 TOOLBAR MOUNT STALK STOMPER**



42452 -Left Header Bracket Assembly

| | | | |
|--------|--------|-------------------------------|------|
| 7 | 00730 | NUT, 1/2"-13 HEX FLANGE | 2 |
| 6 | 00253 | WASHER, 1/2" FLAT | 4 |
| 5 | 22980 | STRAP, CIH 22/24/32/34 MNT | 1 |
| 4 | 00160 | BOLT, 1/2" NC X 6" | 2 |
| 3 | 00216 | NUT, 1/2" TOP LOCK | 2 |
| 2 | 00986 | U-BOLT 1/2"-13 X 2" | 1 |
| 1 | 42451 | ARM, CIH 22/24/32/34 LEFT END | 1 |
| ITEM # | PART # | DESCRIPTION | QTY. |



42465 - Right Header Bracket Assembly

| | | | |
|--------|--------|----------------------------|------|
| 7 | 00730 | NUT, 1/2"-13 HEX FLANGE | 2 |
| 6 | 00986 | U-BOLT 1/2"-13 X 2" | 1 |
| 5 | 00216 | NUT, 1/2" TOP LOCK | 2 |
| 4 | 00160 | BOLT, 1/2" NC X 6" | 2 |
| 3 | 00253 | WASHER, 1/2" FLAT | 4 |
| 2 | 22980 | STRAP, CIH 22/24/32/34 MNT | 1 |
| 1 | 42464 | ARM, CIH 22/24/32/34 RIGHT | 1 |
| ITEM # | PART # | DESCRIPTION | QTY. |

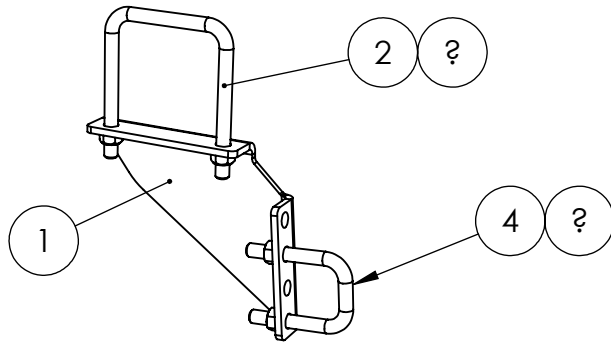


120 Eastgate Drive SE
Hutchinson, MN 55350

1-800-788-6483
1-320-587-2322
1-320-587-6112 (Fax)

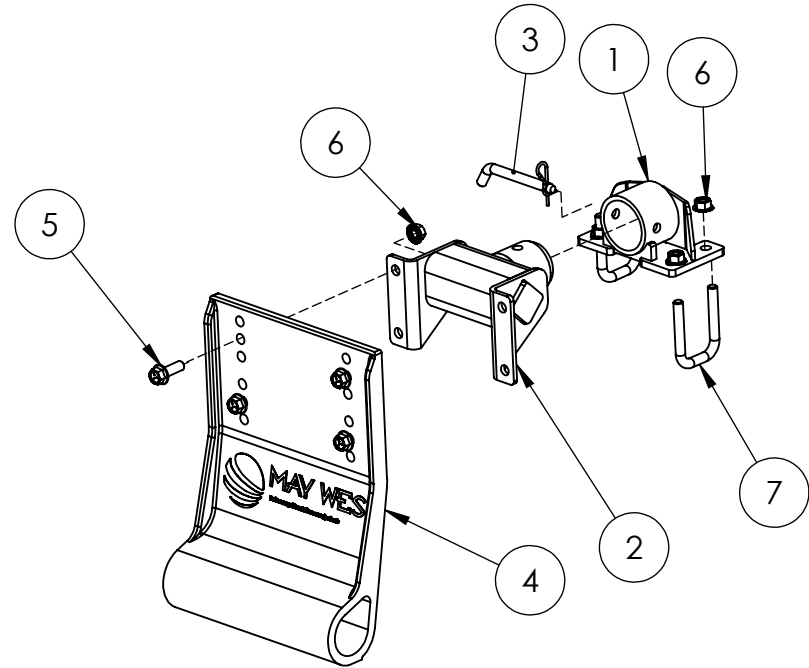
WWW.MAYWES.COM

**CASE IH 2200/2400/3200/3400 SERIES - NEW HOLLAND 96C/98C/980D/996
6 Row Heads
G4 TOOLBAR MOUNT STALK STOMPER**



42454 - Center Header Bracket Assembly

| | | | |
|--------|--------|------------------------------|------|
| 5 | 00216 | NUT, 1/2" NC TOP LOCK | 2 |
| 4 | 00986 | U-BOLT 1/2"-13 X 2" | 1 |
| 3 | 00730 | NUT, 1/2"-13 HEX FLANGE | 2 |
| 2 | 00965 | U-BOLT 1/2"-13 x 4" | 1 |
| 1 | 22987 | BRACKET, CIH 22/24/32/34 CTR | 1 |
| ITEM # | PART # | DESCRIPTION | QTY. |



43115 - Stalk Stomper Shoe Assembly

| | | | |
|--------|--------|-----------------------------------|------|
| 7 | 00986 | U-BOLT 1/2"-13 X 2" | 2 |
| 6 | 00730 | NUT, 1/2"-13 HEX FLANGE | 8 |
| 5 | 00729 | BOLT, 1/2"-13 X 1-1/2" HEX FLANGE | 4 |
| 4 | 24100 | SHOE, G4 MOLDED | 1 |
| 3 | 01130 | PIN, 1/2" X 4" BENT HITCH | 1 |
| 2 | 42295 | STALK STOMPER TORSION ASSY | 1 |
| 1 | 43097 | TOOLBAR MOUNT BRACKET | 1 |
| ITEM # | PART # | DESCRIPTION | QTY. |



120 Eastgate Drive SE
Hutchinson, MN 55350

1-800-788-6483
1-320-587-2322
1-320-587-6112 (Fax)

WWW.MAYWES.COM