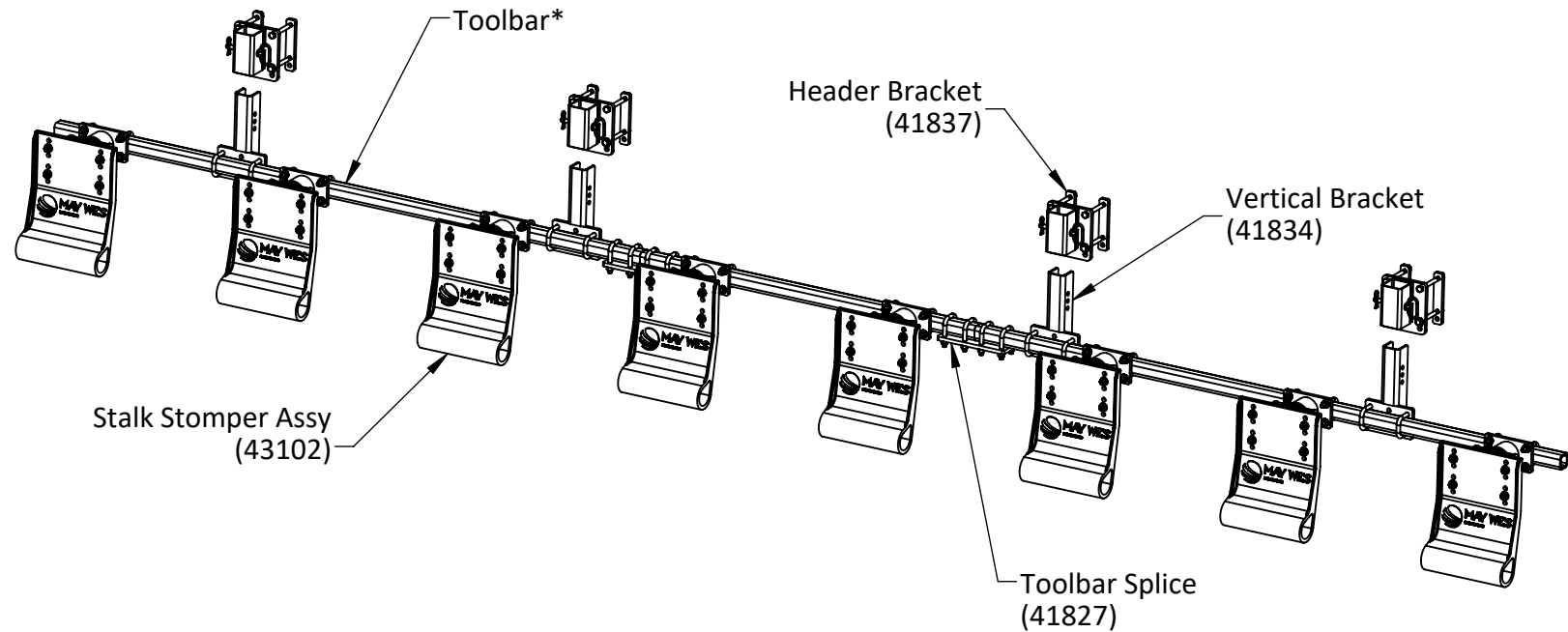


# LEXION G4 TOOLBAR MOUNT STALK STOMPER



## Notes:

- Illustration shown is for reference purposes only. Quantities and components will vary. Please refer to individual component parts listings for specific information.
- Due to variation of implement configurations, row coverage under the feeder house may not be applicable.
- \* Toolbar is not included in all kits. If a kit without Toolbar was ordered, the customer is responsible for providing required Toolbar.



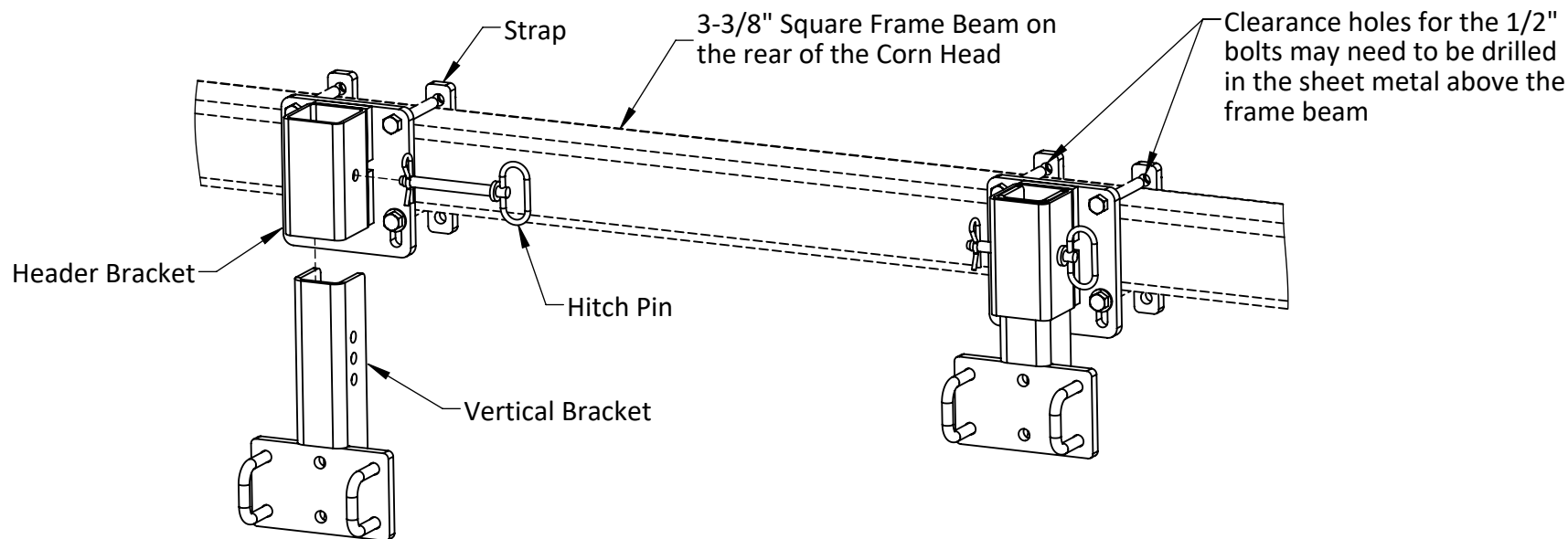
**MAY WES**  
*Original Poly People*  
A DIVISION OF PRIDE SOLUTIONS

120 Eastgate Drive SE  
Hutchinson, MN 55350

1-800-788-6483  
1-320-587-2322  
1-320-587-6112 (Fax)

[WWW.MAYWES.COM](http://WWW.MAYWES.COM)

## LEXION HEADER BRACKET INSTALLATION



### Installation Procedure:

- Park combine on level ground and lock the brakes.
- Raise the head and lock in the upright position.
- Mount the Header Brackets to the square frame beam on the rear of the corn head using the straps, washers, bolts and nuts supplied. Mount two Header Brackets on each side of the head, positioning the brackets where needed while keeping as much distance between them as possible.

**Note:** Clearance holes may need to be drilled for the bolts at the top of the frame beam if sheet metal is present at determined mounting locations (see illustration).

- Install Vertical Brackets into Header Brackets and secure in place with Hitch Pins.
- Refer to the Toolbar Mount Stalk Stomper Instructions to continue installation.



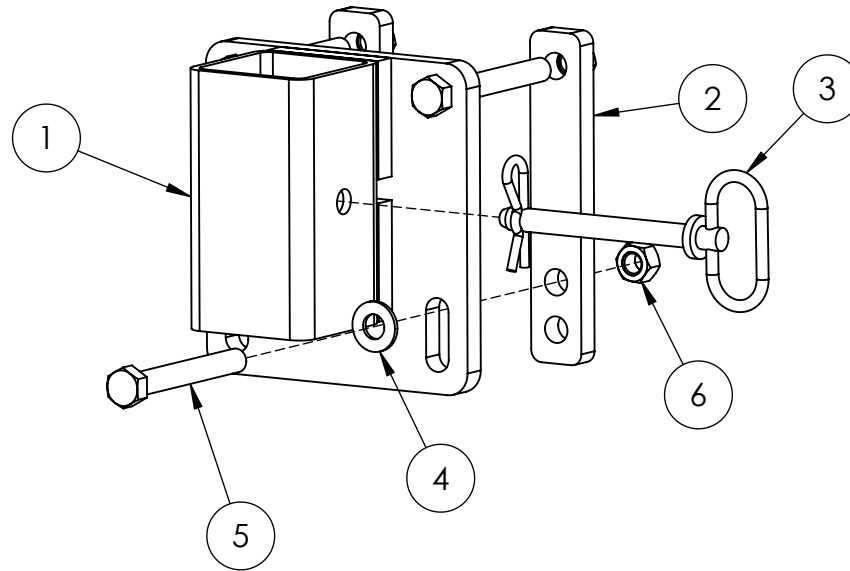
**MAY WES**  
*Original Poly People*  
A DIVISION OF PRIDE SOLUTIONS

120 Eastgate Drive SE  
Hutchinson, MN 55350

1-800-788-6483  
1-320-587-2322  
1-320-587-6112 (Fax)

[WWW.MAYWES.COM](http://WWW.MAYWES.COM)

**LEXION**  
**TOOLBAR MOUNT STALK STOMPER**  
**ASSEMBLY INSTRUCTIONS / PARTS LISTING**



**41837**  
**HEADER BRACKET**

ITEM #	PART #	DESCRIPTION	QTY
1	41675	HEADER BRACKET	1
2	22198	STRAP	2
3	20433	1/2" X 5" HITCH PIN w/ HAIRPIN CLIP	1
4	00253	WASHER, 1/2" FLAT	2
5	00156	BOLT, 1/2"-13 X 5-1/2" HEX	4
6	00216	NUT, 1/2" TOP LOCK	4



**MAY WES**  
*Original Poly People*  
 A DIVISION OF PRIDE SOLUTIONS

120 Eastgate Drive SE  
 Hutchinson, MN 55350

1-800-788-6483  
 1-320-587-2322  
 1-320-587-6112 (Fax)

WWW.MAYWES.COM