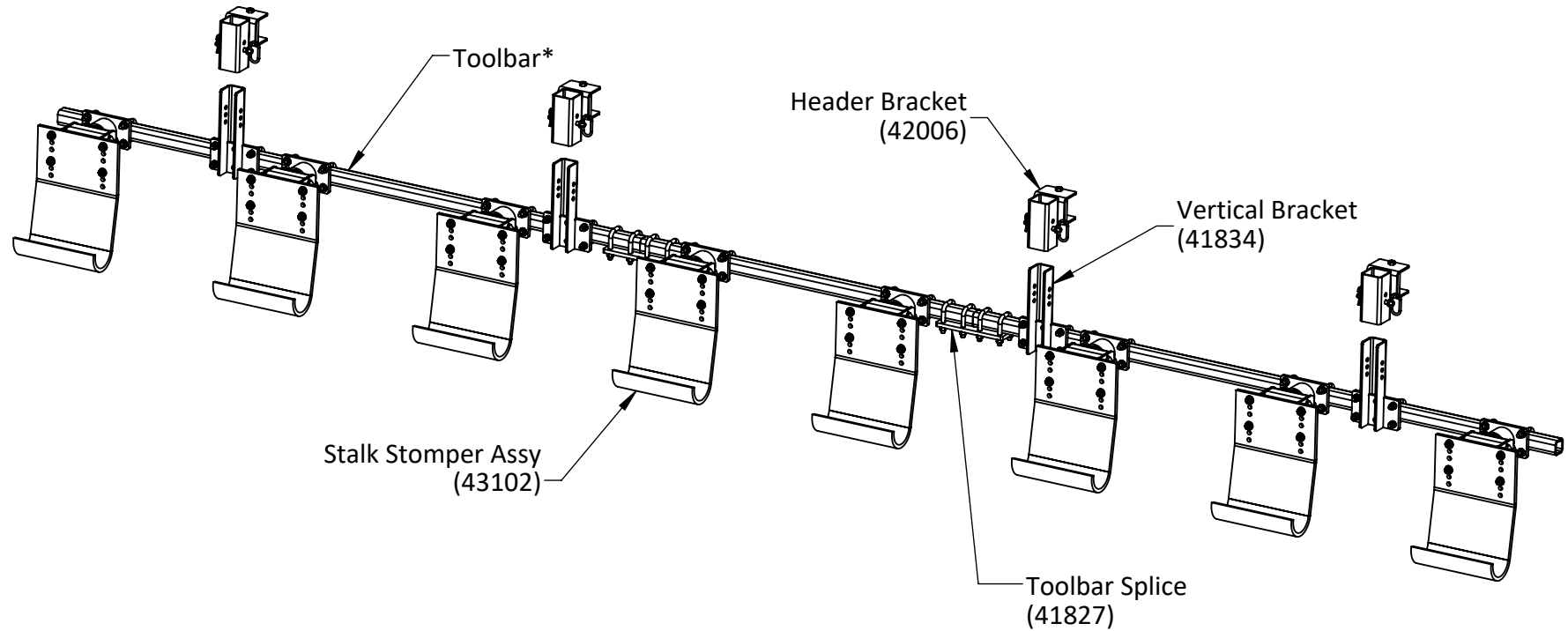


CAPELLO G4 TOOLBAR MOUNT STALK STOMPER



Notes:

- Illustration shown is for reference purposes only. Quantities and components will vary. Please refer to individual component parts listings for specific information.
- Due to variation of implement configurations, row coverage under the feeder house may not be applicable.
- * Toolbar is not included in all kits. If a kit without Toolbar was ordered, the customer is responsible for providing required Toolbar.



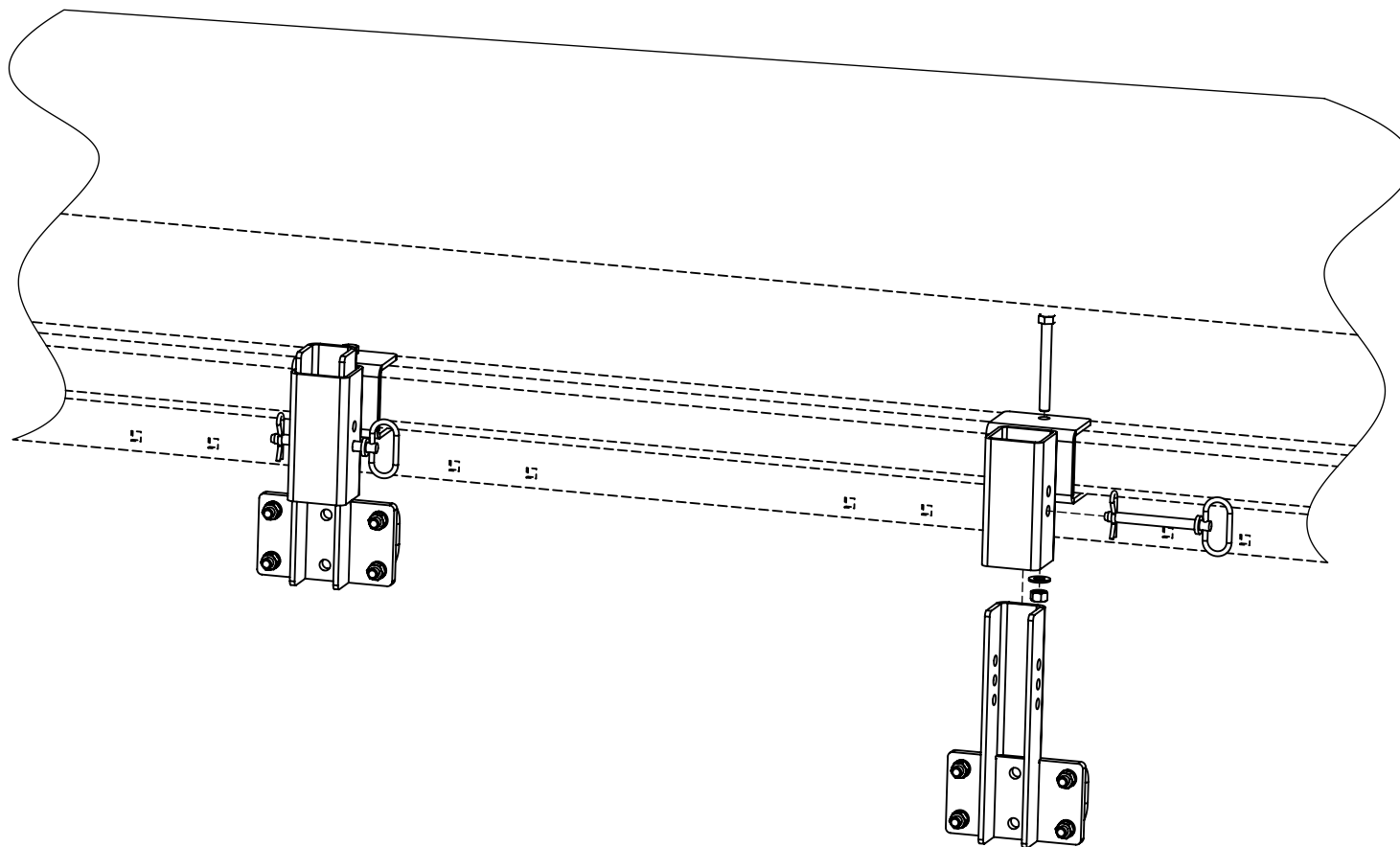
MAY WES
Original Poly People
A DIVISION OF PRIDE SOLUTIONS

120 Eastgate Drive SE
Hutchinson, MN 55350

1-800-788-6483
1-320-587-2322
1-320-587-6112 (Fax)

WWW.MAYWES.COM

CAPELLO HEADER BRACKET INSTALLATION



Installation Procedure:

- Park combine on level ground and lock the brakes.
- Raise the head and lock in the upright position.
- Place Header Brackets over 3-3/16" Square Beam on both sides of the head and mark hole locations where needed while keeping as much distance between them as possible. Drill through beam in locations just marked using a $\varnothing 9/16$ " drill (drill not supplied).
- Mount the Header Brackets in drilled locations using bolts, washers and nuts supplied.
- Install Vertical Brackets into Header Brackets and secure in place with Hitch Pins.
- Refer to the Toolbar Mount Stalk Stomper Instructions to continue installation.



MAY WES
Original Poly People
A DIVISION OF PRIDE SOLUTIONS

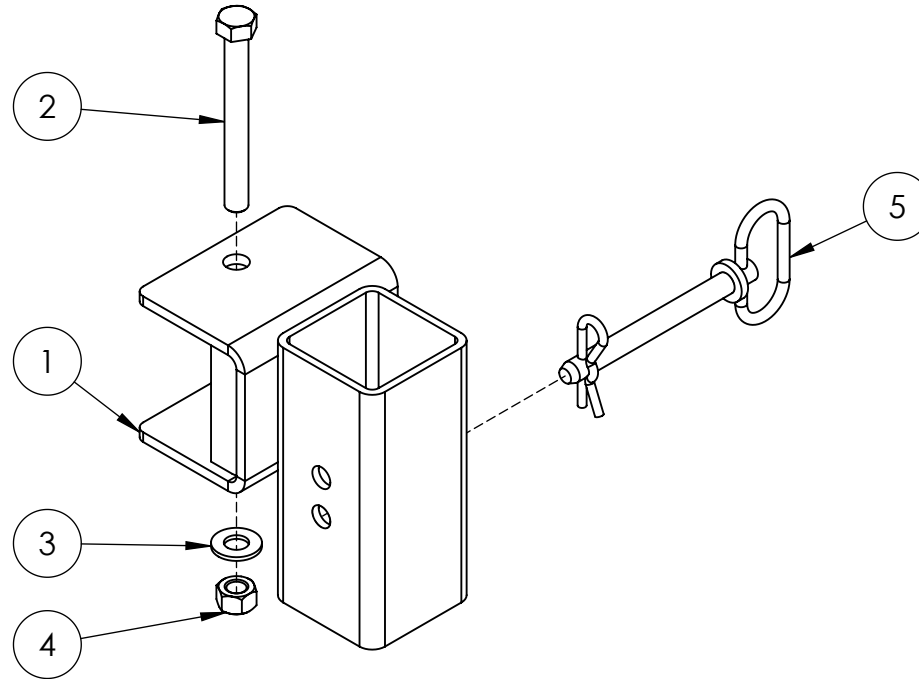
120 Eastgate Drive SE
Hutchinson, MN 55350

1-800-788-6483
1-320-587-2322
1-320-587-6112 (Fax)

WWW.MAYWES.COM

CAPELLO

TOOLBAR MOUNT STALK STOMPER ASSEMBLY INSTRUCTIONS / PARTS LISTING



42006
HEADER BRACKET

ITEM#	PART#	DESCRIPTION	QTY
1	41979	HEADER BRACKET	1
2	00153	BOLT, 1/2" X 4-1/2" HEX	1
3	00253	WASHER, 1/2" FLAT SAE	1
4	00216	NUT, 1/2"-13 TOP LOCK	1
5	20433	HITCH PIN	1