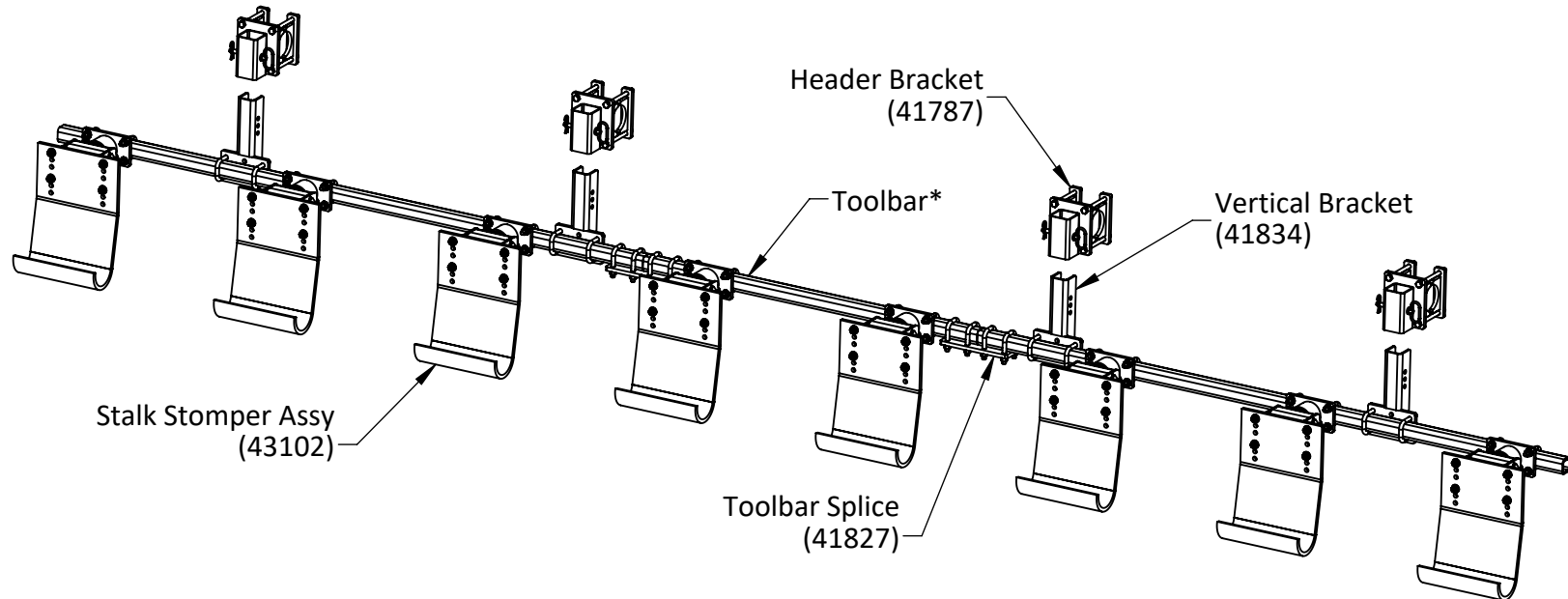


FANTINI G4 TOOLBAR MOUNT STALK STOMPER



Notes:

- Illustration shown is for reference purposes only. Quantities and components will vary. Please refer to individual component parts listings for specific information.
- Due to variation of implement configurations, row coverage under the feeder house may not be applicable.
- * Toolbar is not included in all kits. If a kit without Toolbar was ordered, the customer is responsible for providing required Toolbar.



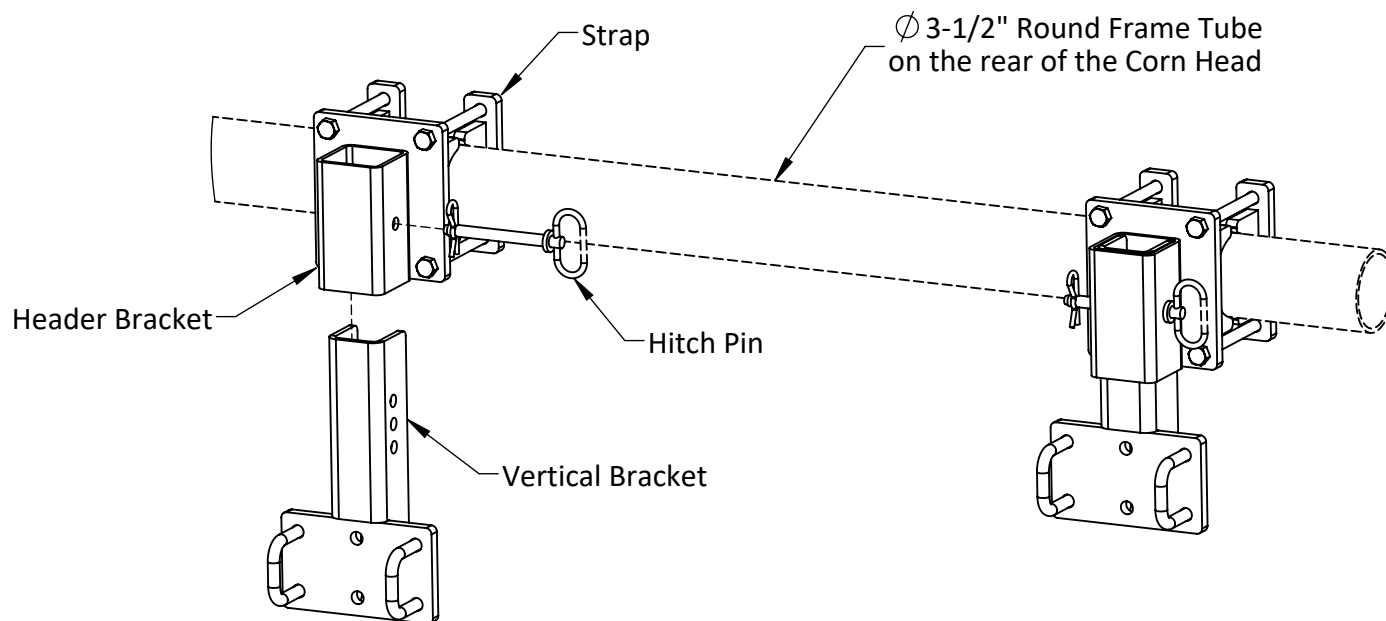
MAY WES
Original Poly People
A DIVISION OF PRIDE SOLUTIONS

120 Eastgate Drive SE
Hutchinson, MN 55350

1-800-788-6483
1-320-587-2322
1-320-587-6112 (Fax)

WWW.MAYWES.COM

FANTINI HEADER BRACKET INSTALLATION



Installation Procedure:

- Park combine on level ground and lock the brakes.
- Raise the head and lock in the upright position.
- Mount the Header Brackets to the round frame beam on the rear of the corn head using the straps, washers, bolts and nuts supplied. Mount two Header Brackets on each side of the head, positioning the brackets where needed while keeping as much distance between them as possible.
- Install Vertical Brackets into Header Brackets and secure in place with Hitch Pins.
- Refer to the Toolbar Mount Stalk Stomper Instructions to continue installation.



MAY WES
Original Poly People
A DIVISION OF PRIDE SOLUTIONS

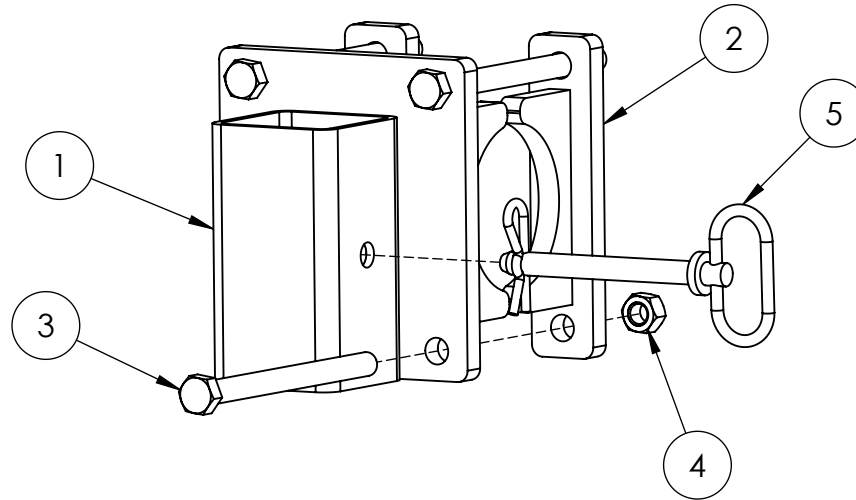
120 Eastgate Drive SE
Hutchinson, MN 55350

1-800-788-6483
1-320-587-2322
1-320-587-6112 (Fax)

WWW.MAYWES.COM

FANTINI

TOOLBAR MOUNT STALK STOMPER ASSEMBLY INSTRUCTIONS / PARTS LISTING



41787 HEADER BRACKET

ITEM #	PART #	DESCRIPTION	QTY
1	41785	RECEIVER BRACKET	1
2	41786	SADDLE STRAP	2
3	00159	BOLT, 1/2"-13 X 6-1/2" HEX	4
4	00216	NUT, 1/2" TOP LOCK	4
5	20433	HITCH PIN	1



MAY WES
Original Poly People
A DIVISION OF PRIDE SOLUTIONS

120 Eastgate Drive SE
Hutchinson, MN 55350

1-800-788-6483
1-320-587-2322
1-320-587-6112 (Fax)

WWW.MAYWES.COM