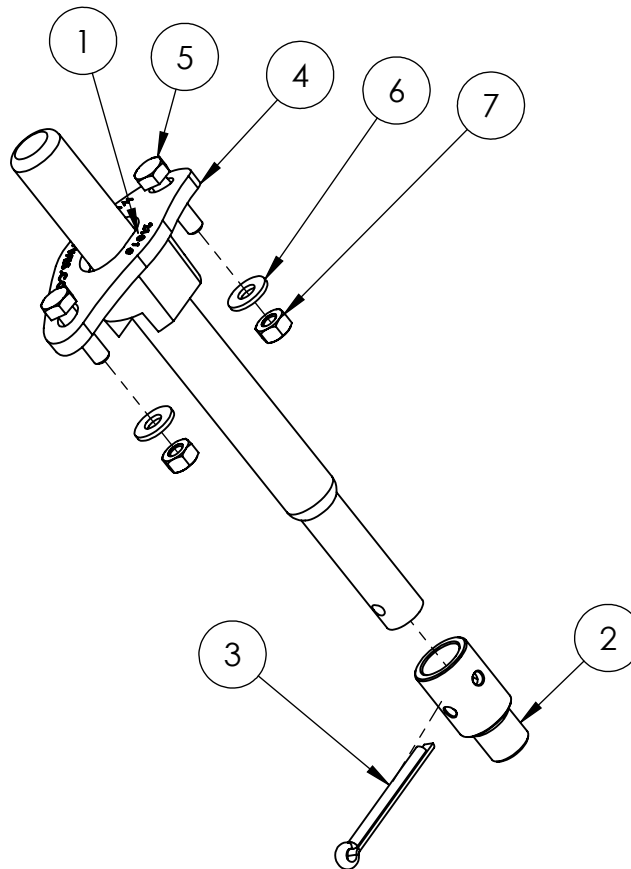


Lexion Poly Retractable Finger 9-5/8" Long Instruction Sheet

(V900, V750, V540, V535, V530, V525, F900, F750, F530, F525, G530, G525, G30, F30, F25)

1. Remove bolt or retaining pin securing finger to bearing inside auger, remove finger.
2. Inspect the bearing for wear or damage. Repair or replace if needed.
Attach finger to adapter and secure with clip.
3. Remove existing finger guide, remove any burrs from the opening in the auger skin.
4. Install finger guide on the outside of the auger skin. Secure using supplied hardware.
5. Align poly finger with mounting hole. Install bolt or retaining pin to secure finger.
Apply Loctite to adapter threads prior to assembly.



Adaptor Kit (includes adapter & clip) #41775
Complete Finger Kit #83472

****Important Note****

When finger is fully retracted, it should extend 1/2" above poly guide surface. Also check clearance between extended finger and auger floor before operating.

ITEM#	PART#	DESCRIPTION	QTY	ITEM#	PART#	DESCRIPTION	QTY
1	40601	POLY FINGER	1	5	00060	BOLT, 1/4"-20 X 1" HEX	2
2	22229	FINGER ADAPTER	1	6	00468	WASHER, 1/4" FLAT SAE	2
3	00957	PIN, 3/16" X 2" COTTER	1	7	00205	NUT, 1/4"-20 TOP LOCK	2
4	21018	POLY FINGER GUIDE	1				



120 Eastgate Drive SE
PO Box 7
Hutchinson, MN 55350

1-800-788-6483
1-320-587-2322
1-320-587-6112 (Fax)

WWW.MAYWES.COM