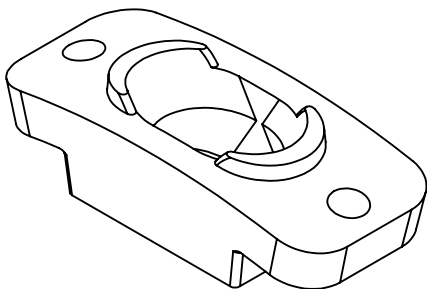


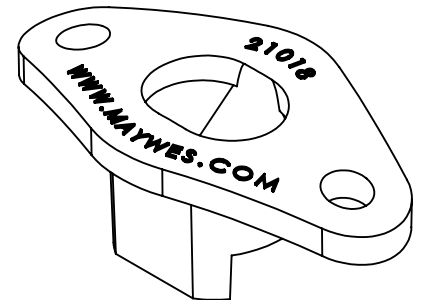
# Case IH/New Holland/MacDon Poly Retractable Finger Instruction Sheet

Model	Overall Length	Finger #	Guide #
MacDon 872 Combine Adapter w/12" Auger Drum	8-1/4"	41997	22407
Case IH 2062/2052/2042 New Holland 84C MacDon 872/873 Combine Adapter w/11" Auger Drum	7-7/16"	41586	22407
Case IH 1010/1020 Case IH 2162/2152/2142 New Holland 86C/83C/82C MacDon CA20, CA25 Adapter	9-1/8"	40601	22407
Case IH 2020 (SN#CBJ020701 & after) New Holland 74C (SN#PNL01781 & after)	10-5/8"	41488	22407
Case IH 2010 Case IH 2020 (Before SN#CBJ020701) New Holland 74C (Before SN#PNL01781)	10-5/8"	41488	21018
Case IH 3020 Case IH 3016 Case IH 3162/3152 New Holland 740CF/760CG New Holland 880CF/840CD New Holland 790CP	10-1/4"	41967	22407

1. Remove bolt or retaining pin securing finger to bearing inside of auger, remove finger.
2. Inspect the bearing for wear or damage. Repair or replace if needed.
3. Remove existing finger guide, remove any burrs from the opening in the auger skin.
4. Install finger guide on the inside of the auger skin.  
Secure using supplied hardware or OEM hardware.
5. Align poly finger with mounting hole. Install OEM retaining pin to secure finger.
6. Check clearance between extended finger and auger floor before operating.



Finger Guide  
#22407



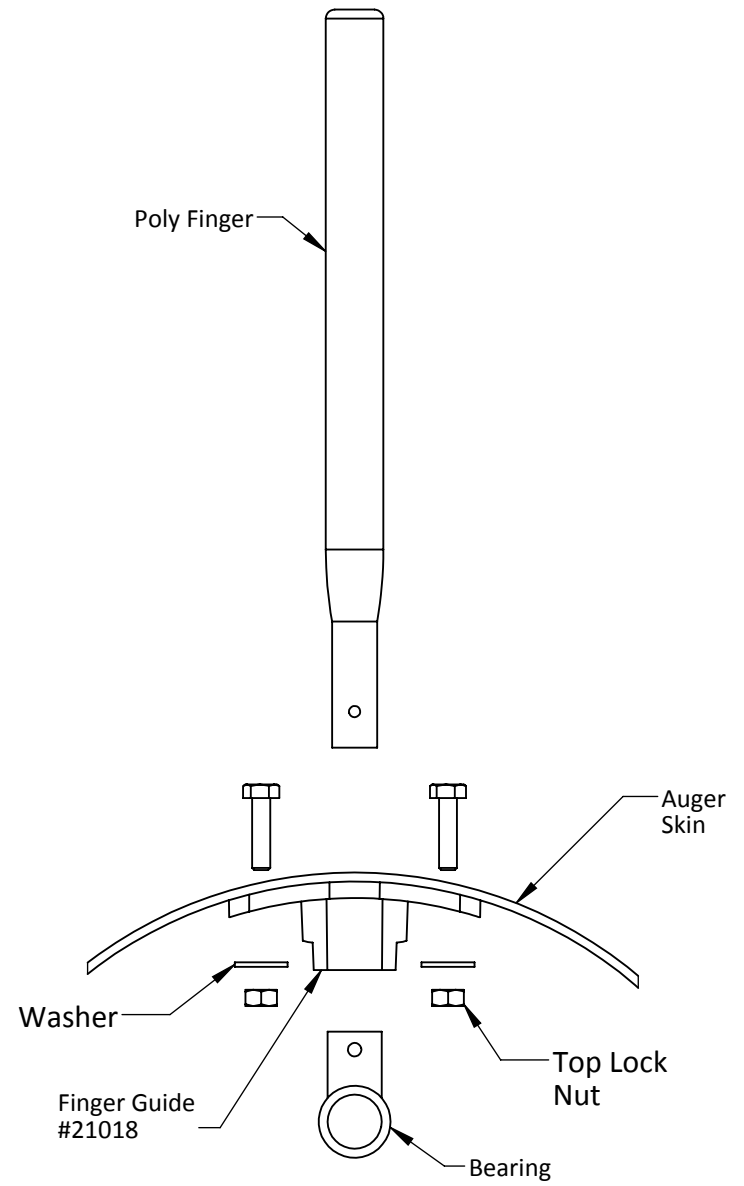
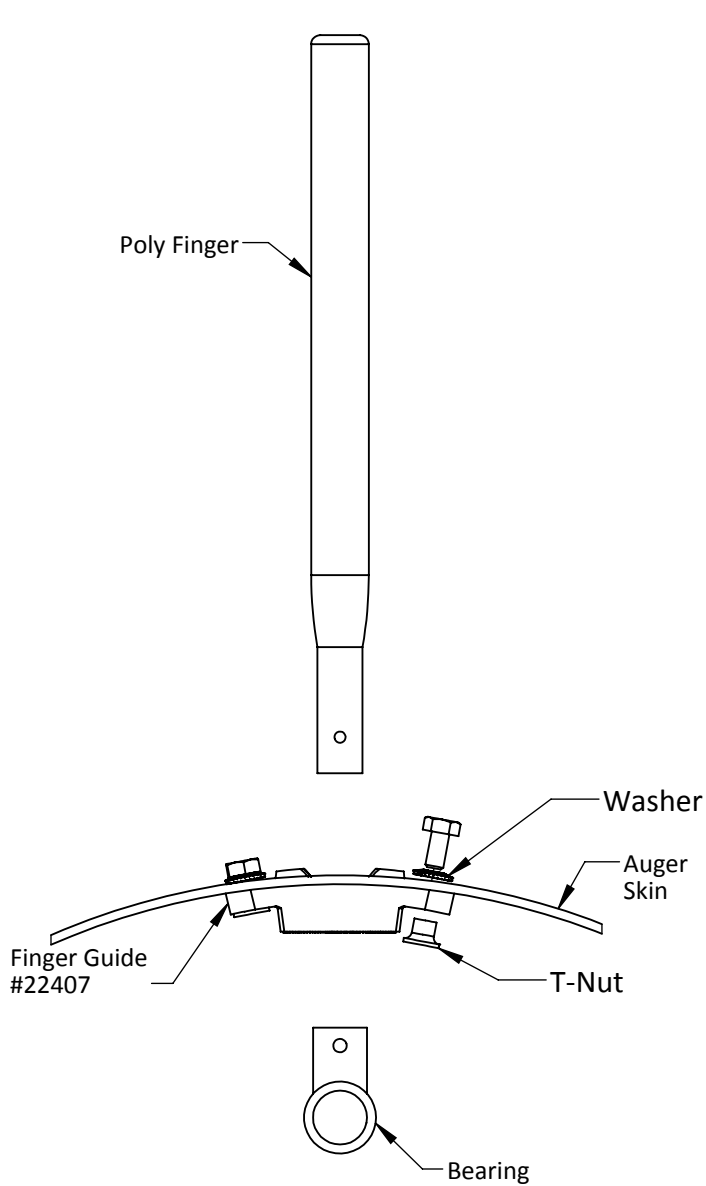
Finger Guide  
#21018



**120 Eastgate Drive SE  
PO Box 7  
Hutchinson, MN 55350**

**1-800-788-6483  
1-320-587-2322  
1-320-587-6112 (Fax)**

**WWW.MAYWES.COM**



**MAY WES**  
*Original Poly People*  
 A DIVISION OF PRIDE SOLUTIONS

120 Eastgate Drive SE  
 PO Box 7  
 Hutchinson, MN 55350

1-800-788-6483  
 1-320-587-2322  
 1-320-587-6112 (Fax)

[WWW.MAYWES.COM](http://WWW.MAYWES.COM)