

John Deere 200/900 Series Grain Head Auger Liner Instructions

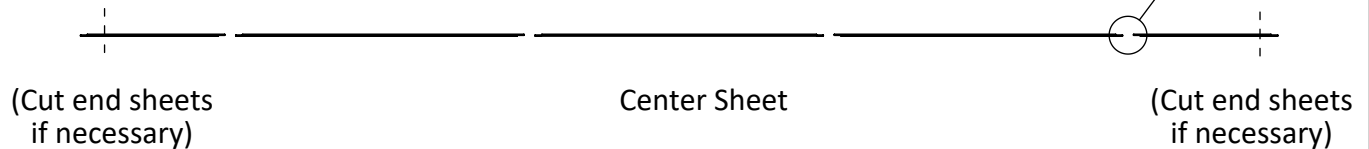


CAUTION

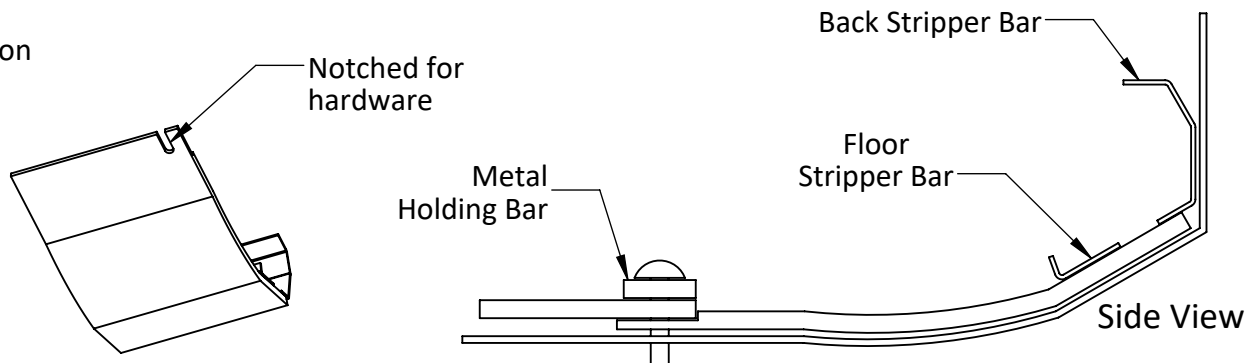
PLEASE REFER TO YOUR EQUIPMENT MANUFACTURER'S OPERATORS MANUAL FOR PERTINENT SAFETY PRECAUTIONS

1. Lay out panels to determine position of each piece
2. Loosen bolts on the metal holding bar (this will create a "gap" to slide the panels under)
3. Remove floor stripper plates and loosen back stripper bar
4. Clean Auger Trough thoroughly, remove all dirt and crop residue.
5. Install Center Panel in front of the feeder house opening. Slide front edge under metal holding bar
- *Installation Tip: Mark Panels for hardware locations and cut out notches in panels to slide past hardware.
6. Continue with the next panel going to the right of the head. Slide the front edge of the 4ft panel under the metal holding bar and line up the overlap edges of the two panels, leaving about a 3/16" gap between the two panels to allow for expansion/contraction of panels in temperature. Slide trailing edge underneath back stripper bar.
7. Press liner down into the auger trough of the head, drill and rivet down the overlap seam every 6-8 inches.
8. Install the rest of the right side panels following steps 5 and 6. When installing end panel, lay panel in head to determine length needed to finish covering the trough. Cut extra material off if necessary.
9. Follow steps 5-7 for the left side of the head.
10. Once all panels have been installed, tighten down metal holding bar to clamp lead edge of liner and back stripper bar.
11. Floor Striper Plates (if present):
 - Use an 11/32" drill bit; drill holes through poly for each mounting location of the floor striper bars from underneath the head
 - Re-install floor striper bars
 - Installation Tip: Tighten bolts and then loosen nut 3/4 of a turn to allow poly liner to expand/contract with temperature changes
12. Drill and Rivet trailing edge of Center Panel every 4 inches in the feedhouse opening.

! IMPORTANT
Confirm hole locations will miss any components on the head before drilling holes



****Installation Tip**



NOTE:

POLY LINER AND COMBINE HEADER SHOULD BE AT 70° F. OR ABOVE, FOR EASE OF INSTALLATION AND SMOOTH FIT.

WINTER INSTALLATIONS WILL NEED A WARM, HEATED SHOP



120 Eastgate Drive SE
Hutchinson, MN 55350

1-800-788-6483
1-320-587-2322
1-320-587-6112 (Fax)

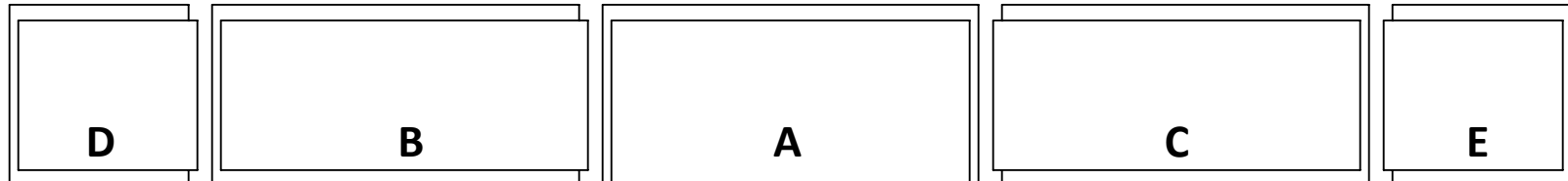
WWW.MAYWES.COM

John Deere 200/900 Series Grain Head Auger Liner Instructions

			Panel Quantity Reference					Rivets per Kit
			A	B	C	D	E	
46" Center	13ft-16ft	80631	1	1	1	1	1	140
46" Center	18ft-20ft	80632	1	2	2	0	0	160
46" Center	22ft-24ft	80633	1	2	2	1	1	200
46" Center	25ft	81825	1	3	3	0	0	210
46" Center	30ft	81686	1	3	3	1	1	250
58" Center	13ft-16ft	83593	1	1	1	1	1	140
58" Center	18ft-20ft	83594	1	2	2	0	0	160
58" Center	22ft-24ft	83595	1	2	2	1	1	200
58" Center	25ft	83596	1	3	3	0	0	210
58" Center	30ft	83597	1	3	3	1	1	250

#42153 - Left 4ft Panel White

#42152 - Right 4ft Panel White



#42155 - Left 2ft Panel White

#42151 - 46" Center Panel White
#42218 - 58" Center Panel White

#42154 - Right 2ft Panel White

(View from Operators Position looking down onto head)



120 Eastgate Drive SE
Hutchinson, MN 55350

1-800-788-6483
1-320-587-2322
1-320-587-6112 (Fax)

WWW.MAYWES.COM